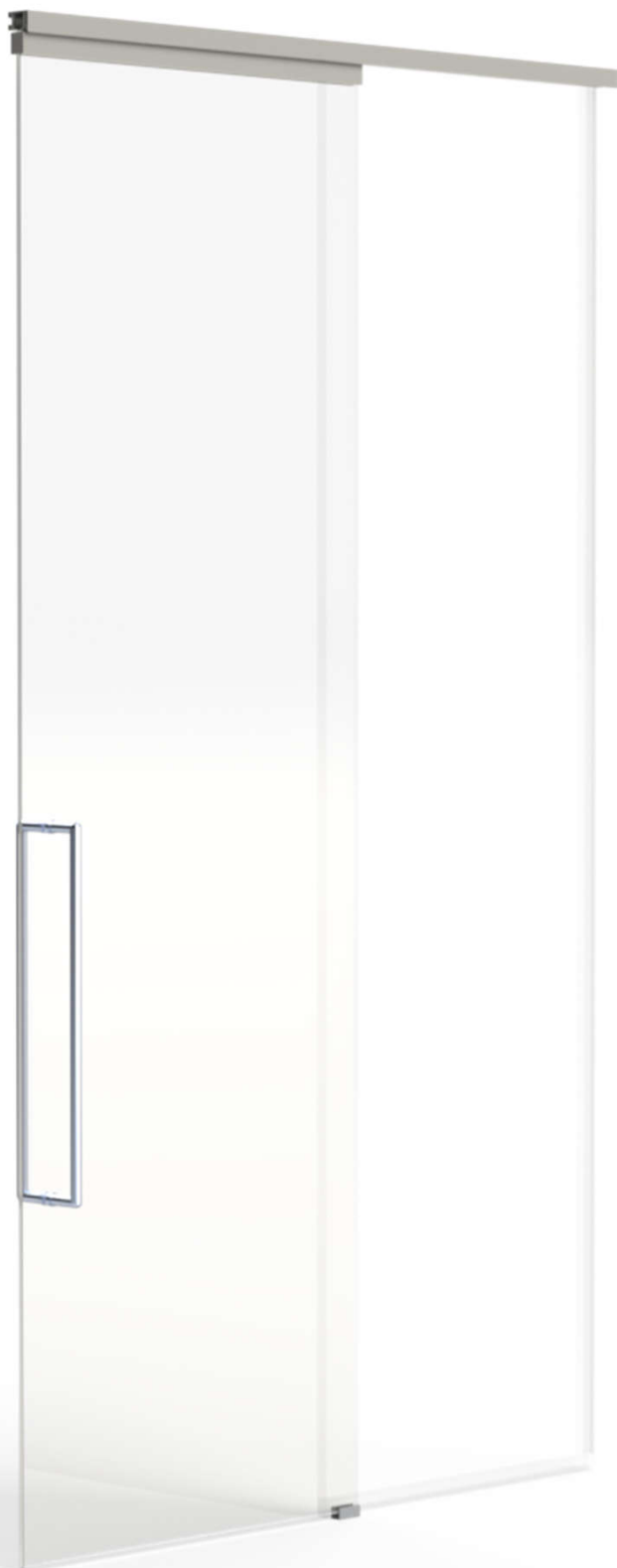


structo

WALL
SYSTEMS



FITS PERFECTLY WITH GLASS
WALLS

FGSLIDE- 30

Maximum door height: **2600 mm***

* with 8mm glass and if door width is max 1000mm

Maximum door width: **1250 mm***

* with 8mm glass and if door height is max 2100mm

Suitable glasses with a thickness: **8 – 10 mm**



+372 666 5017



info@structo.ee



www.structo.ee

FGSLIDE- 30 | TECHNICAL DESCRIPTION



FGSLIDE-30 is a full glass sliding door (single or pair) for glasses between 8 – 10 mm.

Door clamp profile is located on the top of the door panel and it's dimensions are 30 x 33,5 mm.

The standard surface finish of aluminum profiles is natural (silver) anodizing, but it is also possible to order a painted surface according to the RAL colour catalogue.

Possible types of glass are tempered or tempered-laminated.

The surface of the glass can be bright, very bright, mass-tinted, background-painted or matte.

Sliding door locking possibilities:

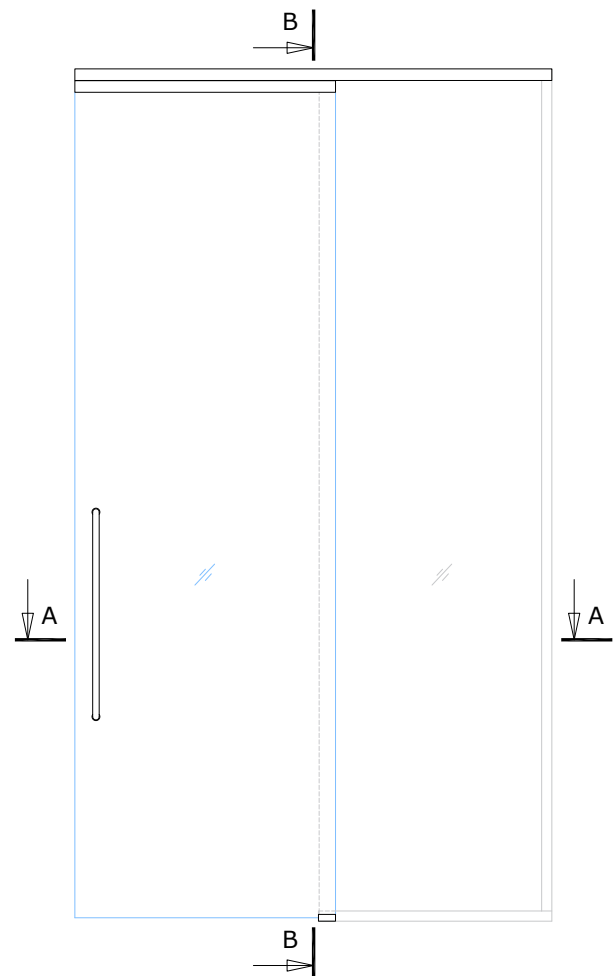
- to the striker profile using sliding door hook lock CDA TGL90SSS, but it is possible to use different lock cases.
- to the floor using PF010 corner lock, but it is possible to use different lock cases.
- to the floor using double sided GF door handle with PC lock system 47020302512.
- to adjacent glass wall using sliding door hook lock CDA TGL90SSS + strike patch TGS90SSS.

Other hardware (cylinder and/or twist knob must be compatible with chosen lock case).

Standard handle is a pull handle SE 300/15B, but it is also possible to use other pull or built-in handles.

The structures adjacent to the product must be strong enough to allow profiles to be attached to them.

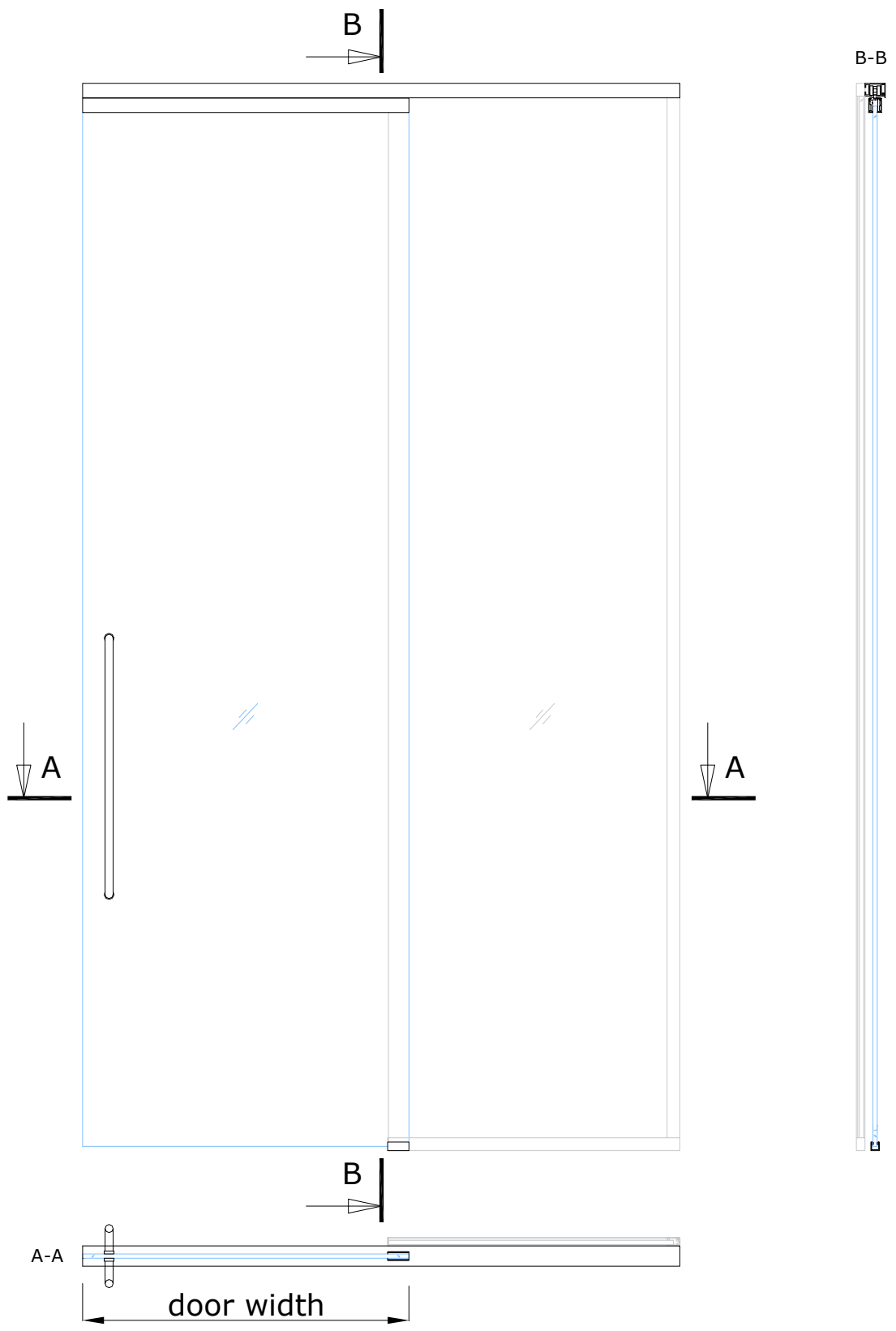
Maximum door height: * with 8mm glass and if door width is max 1000mm	2600 mm*
Maximum door width: * with 8mm glass and if door height is max 2100mm	1250 mm*
Suitable glasses with a thickness:	8 – 10 mm



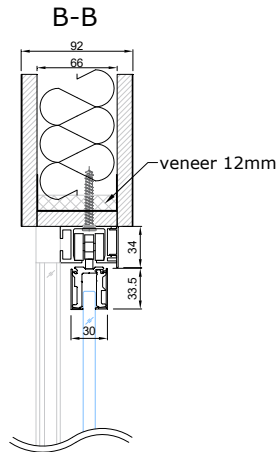
FGSLIDE-

30

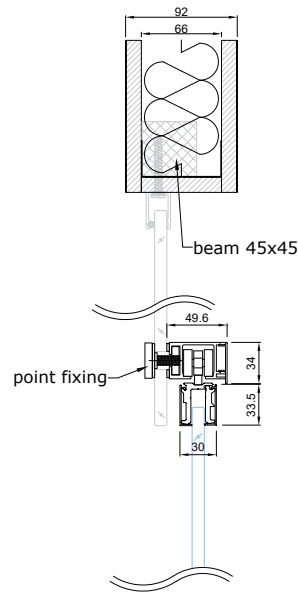
STANDARD SOLUTION



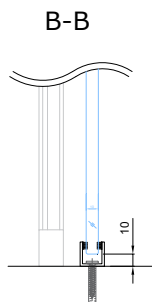
CONNECTION WITH CEILING



CONNECTION WITH UPPER OVERLIGHT

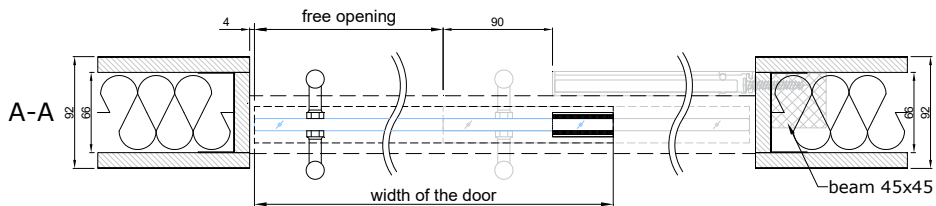


CONNECTION WITH FLOOR

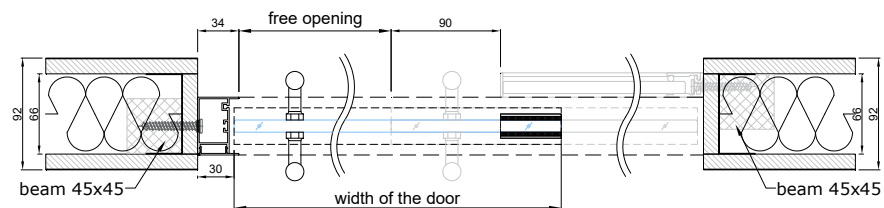


- - seal, EPDM-50Dha_5mm_BLACK
- g - glued connection
- ┃ - seal, FIX-SEAL/S 3x10mm, black
- ▒ - draught brush

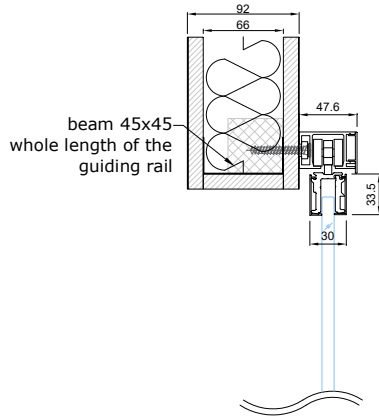
CONNECTION WITH WALL (WITH PULL HANDLES)



CONNECTION WITH WALL (WITH STRIKER PROFILE AND PULL HANDLES)

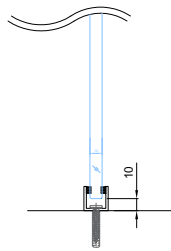


CONNECTION WITH CEILING

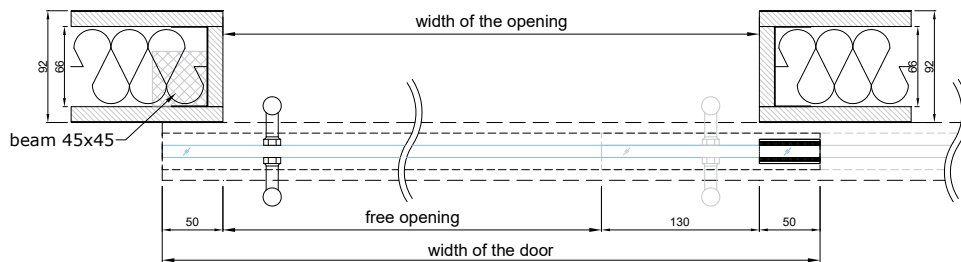


- - seal, EPDM-50Dha_5mm_BLACK
- g - glued connection
- | - seal, FIX-SEAL/S 3x10mm, black
- ▒ - draught brush

CONNECTION WITH FLOOR



CONNECTION WITH WALL (WITH PULL HANDLES)



CONNECTION WITH WALL (WITH STRIKER PROFILE AND PULL HANDLES)

