

structo

WALL
SYSTEMS



CLASSIC SOLUTION THAT FITS
PERFECTLY WITH DOORS AND
ELZONE

MODULE-42

| | |
|--------------------------------------|-----------------|
| Maximum module height: * coloured | 2490 mm* |
| Maximum module width: * coloured | 1200 mm* |
| Profile thickness: | 42 mm |
| Standard profile widths: | 92 mm 120 mm |
| Glass thicknesses: | 6 - 50 mm |



+372 666 5017



info@structo.ee



www.structo.ee

MODULE- 42 | TECHNICAL DESCRIPTION

MODULE-42 is a glass wall system made with 42mm wooden (pine) profiles for glasses between 6-50mm.

Standard profile widths are 92mm and 120mm.

MODULE-42 is available in three different types due to installation distinctnesses:

- STANDARD. This type has a 1x20mm gasket groove in the perimeter of the module. It is possible to stack this type on top of each other and on top of a door.
- WOODFRAME-R. This type has a 10x13mm connection profile groove in the perimeter of the module and a 50mm floor outlay profile under the module.
- UP-R. This type is used for creating multiple stacked modules on top of WOODFRAME-R. It is also possible to stack multiple UP-Rs on top of each other.

It is possible to divide glass into smaller units by using a 42mm horizontal dividing profile (HOR42).

Possible coatings for profiles are:

- painted according to RAL, NCS or Tikkurila colour catalogues.
- covered with natural or technical veneer, which may be stained and varnished, varnished with tinted varnish or painted.

| | |
|--------------------------------------|-------------------------|
| Maximum module height: * coloured | 2490 mm* |
| Maximum module width: * coloured | 1200 mm* |
| Profile thickness: | 42 mm |
| Standard profile widths: | 92 mm 120 mm |
| Glass thicknesses: | 6 - 50 mm |

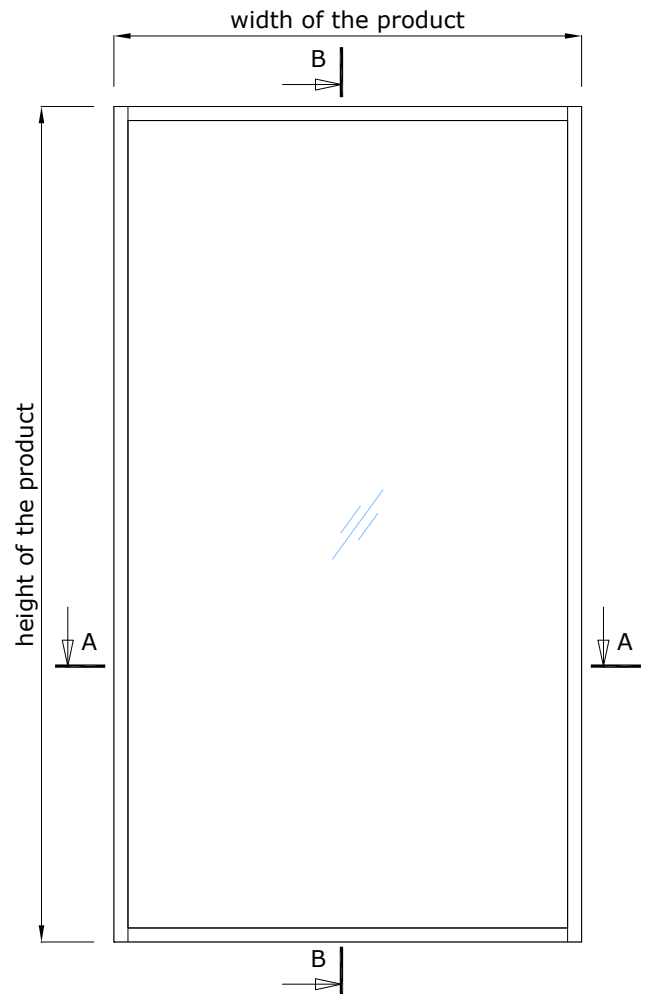
Possible types of glass are tempered, laminated, tempered-laminated or glass units.

The surface of the glass can be bright, very bright, mass-tinted, background-painted or matte.

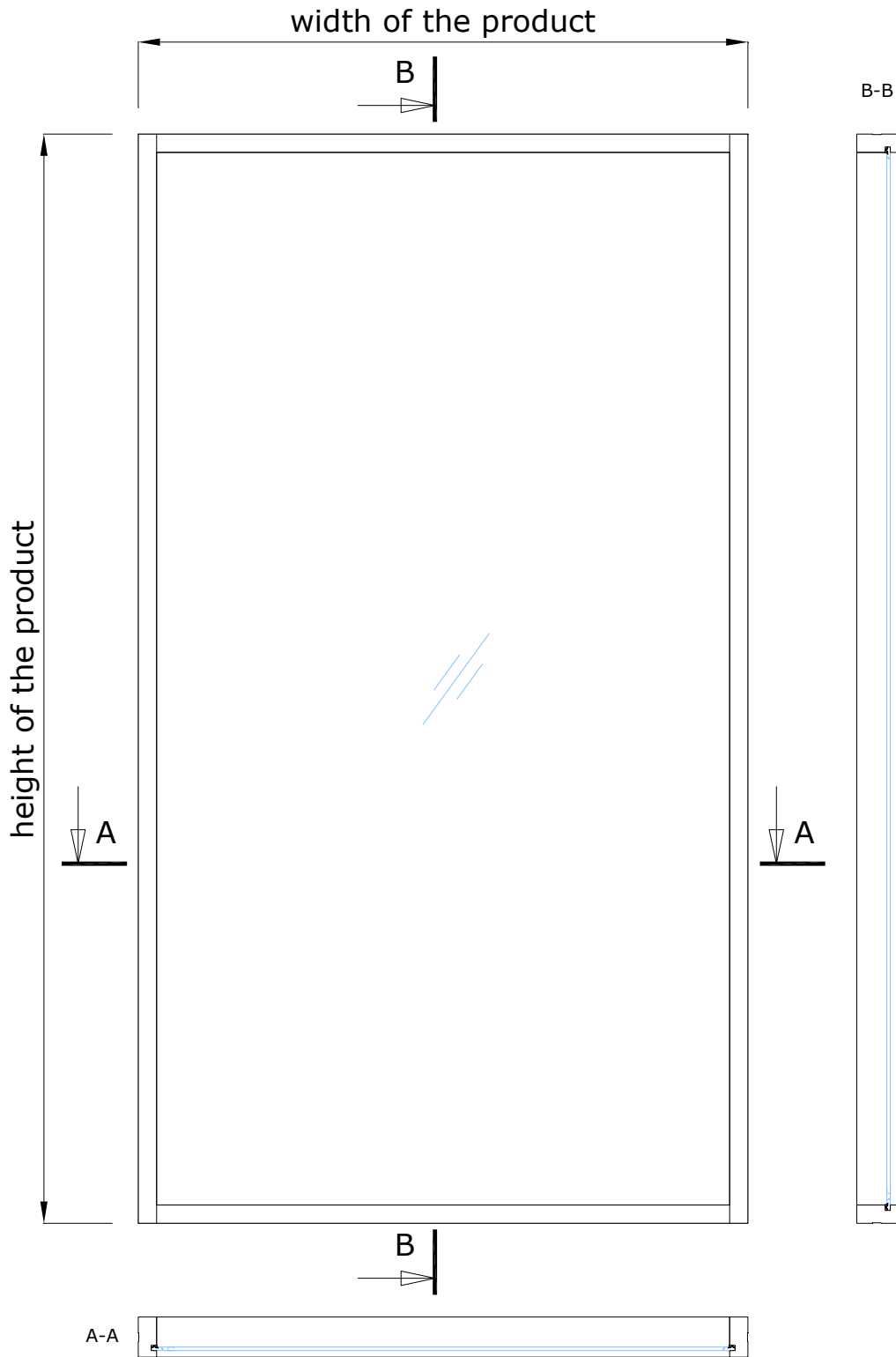
Decor profiles (MDF 10x30mm) can be glued anywhere on the glass surface to create exiting looks.

Options for fixing glass to profiles are either with gaskets (black or transparent) or glued.

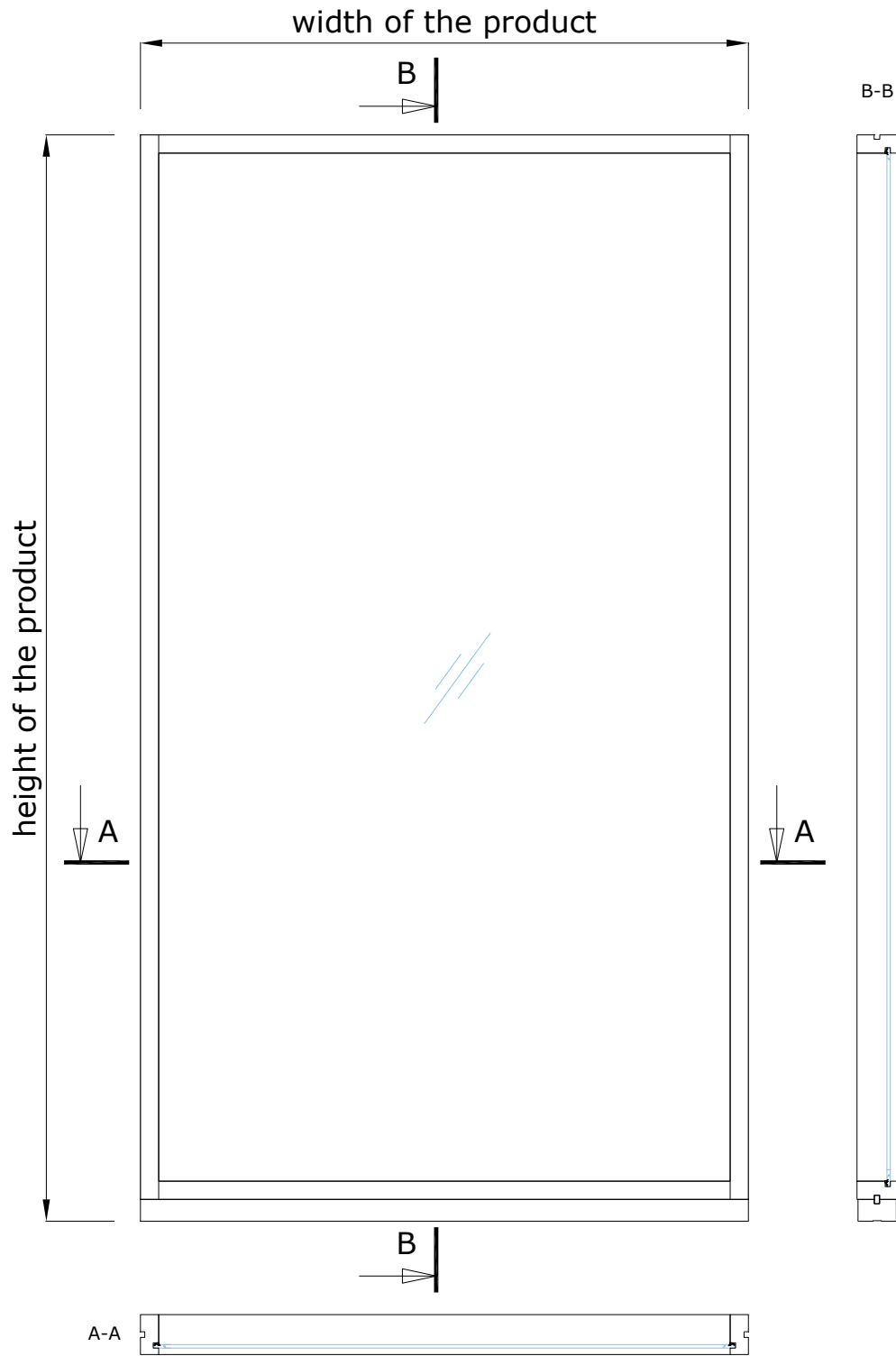
The structures adjacent to the product must be strong enough to allow profiles to be attached to them.



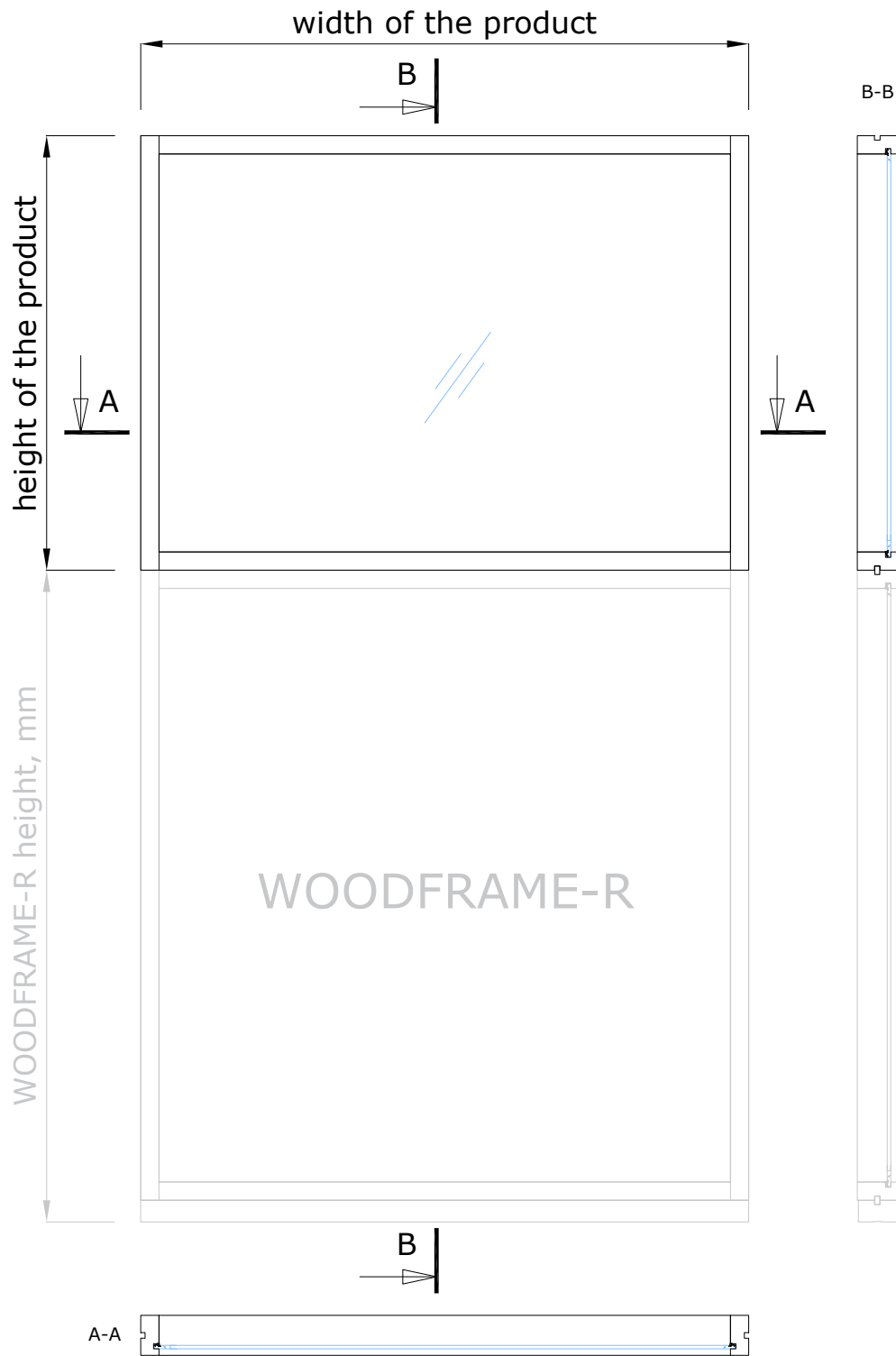
MODULE- 42 | STANDARD SOLUTION



MODULE- 42 | WOODFRAME-R

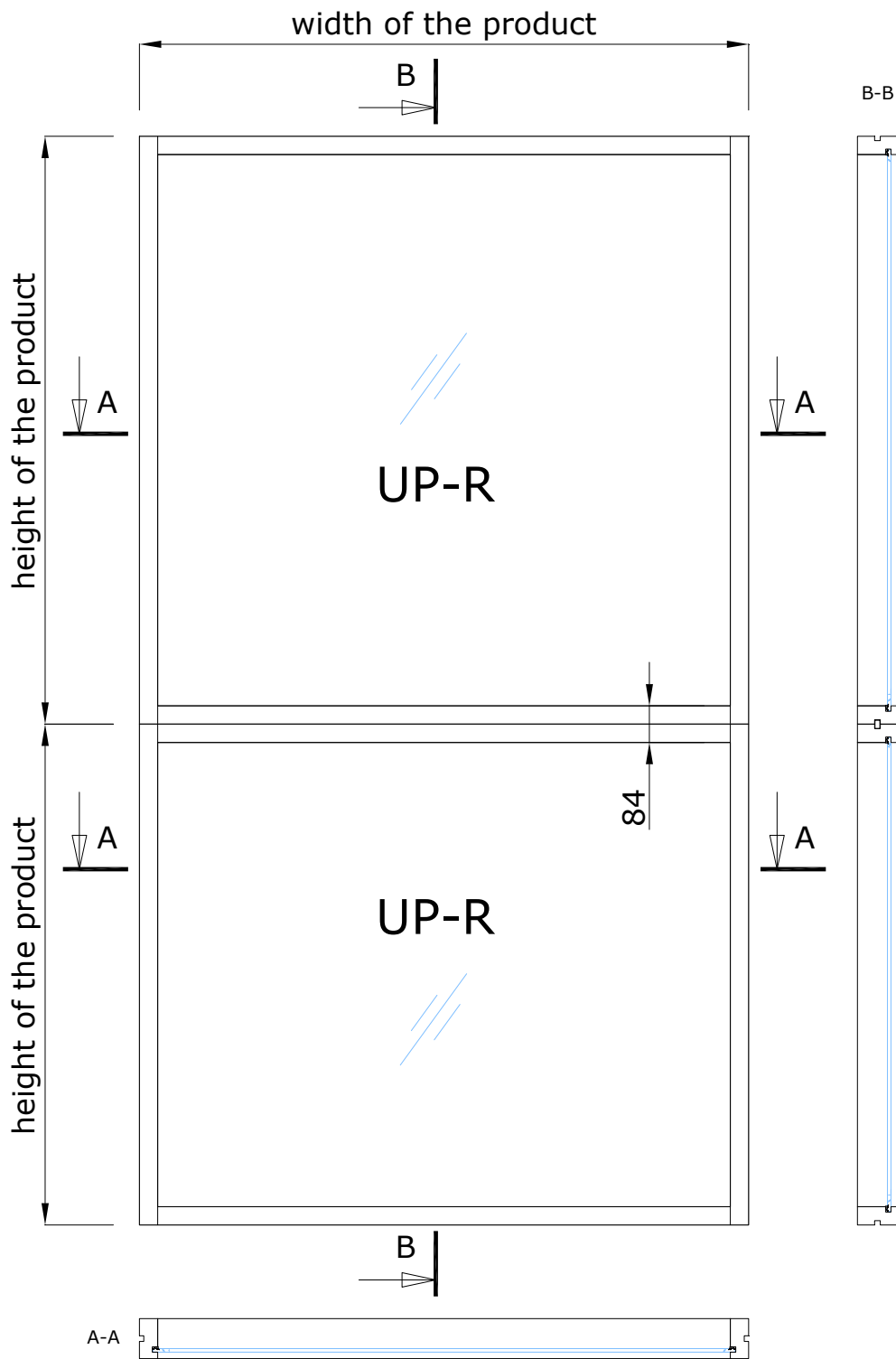


MODULE- 42 | UP-R (ON TOP OF WOODFRAME-R)



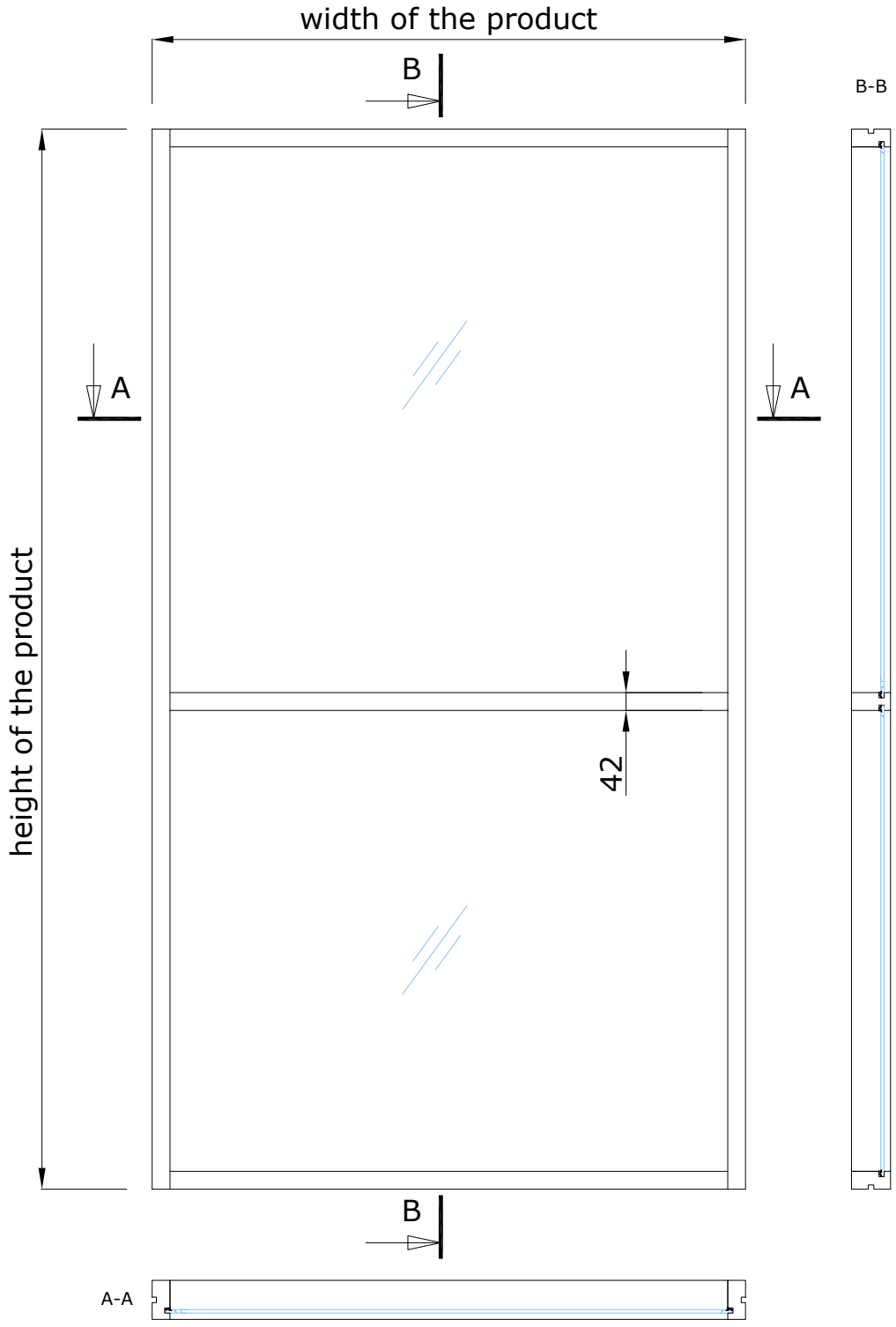
MODULE- 42

UP-R (SOLUTION WITH MULTIPLE STACKED MODULES)



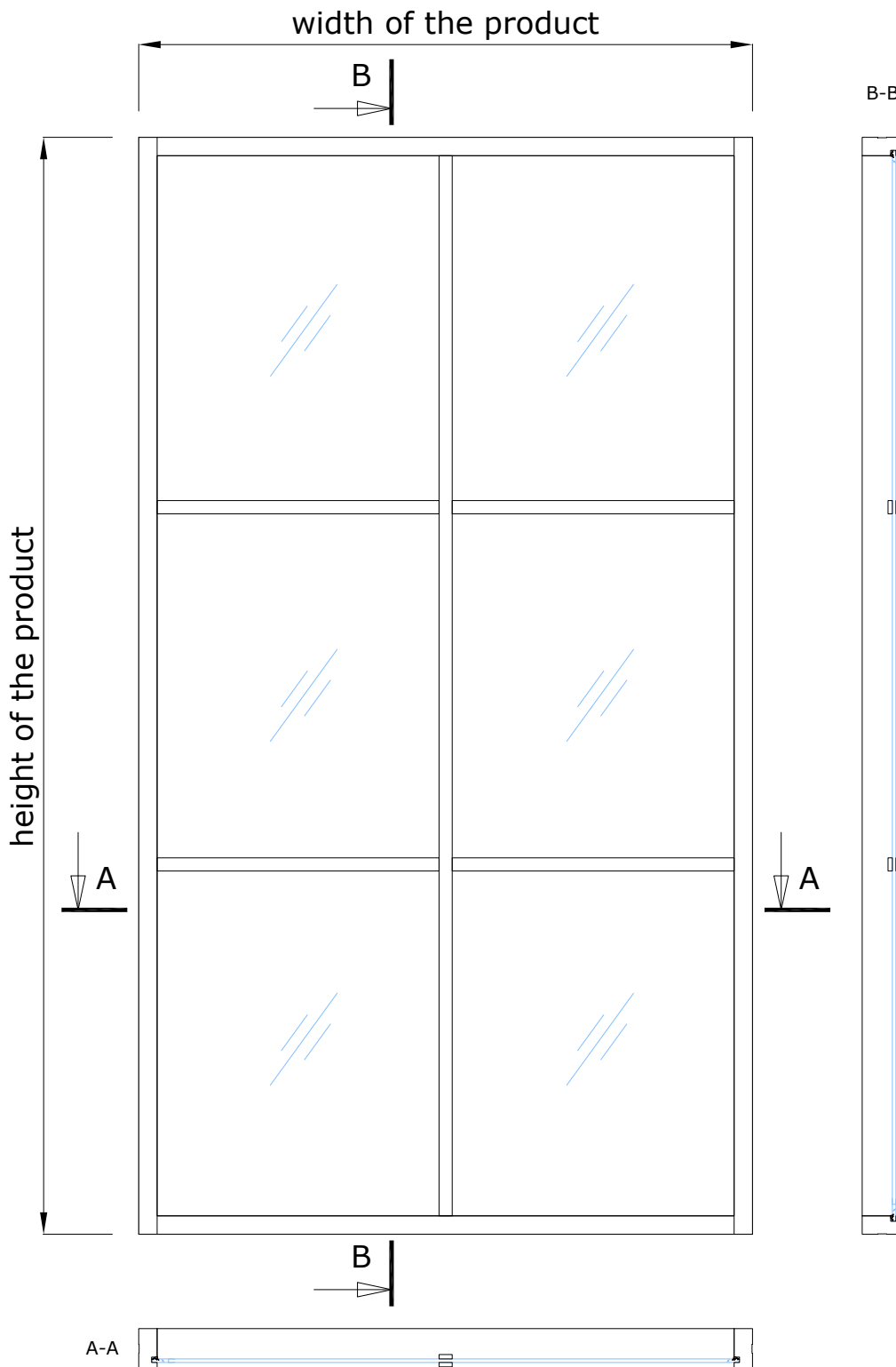
MODULE- 42

SOLUTION WITH HOR42 DIVIDING PROFILE



MODULE- 42

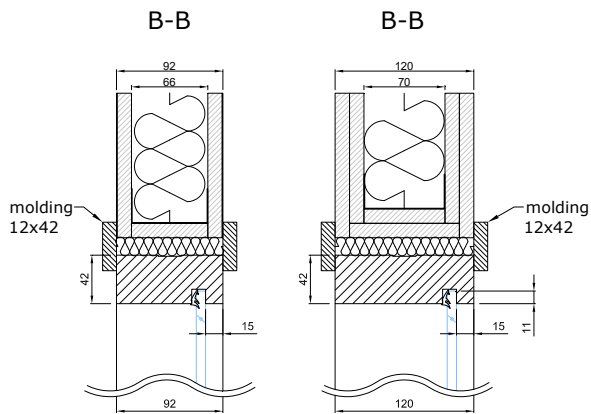
EXAMPLE WITH 30x10mm DECOR PROFILES



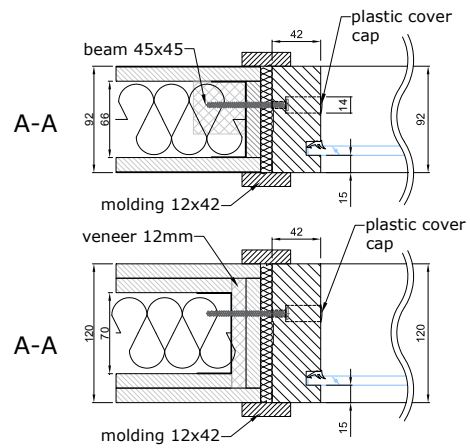
MODULE- 42 | CONNECTIONS (STANDARD)



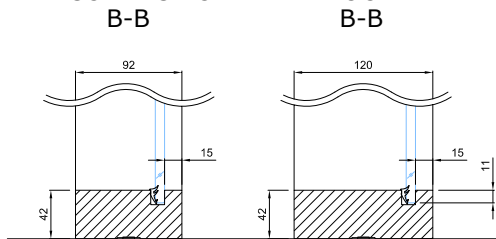
CONNECTION WITH CEILING



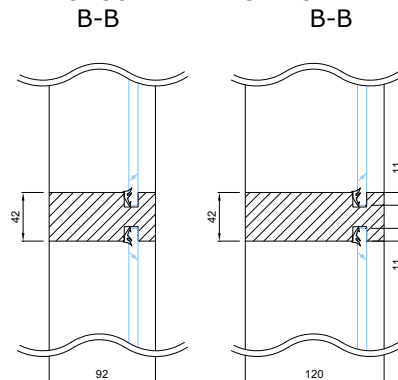
CONNECTION WITH WALL



CONNECTION WITH FLOOR

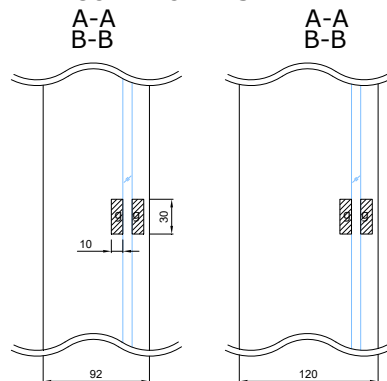


HOR38 DIVIDING PROFILE



- || - seal, FIX-SEAL/S 3x10mm, black
- ┐ - PX4, BLACK/COLOURLESS
- g - glued connection

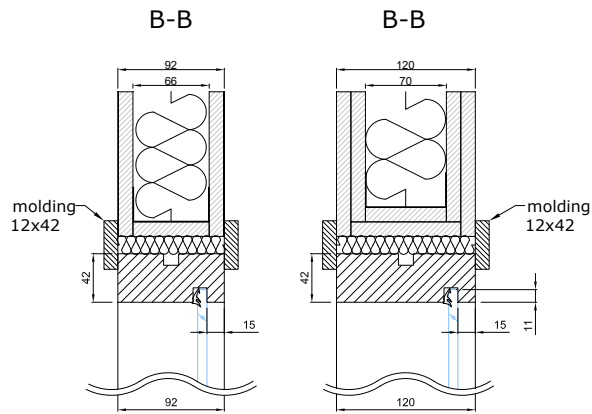
DECOR PROFILES



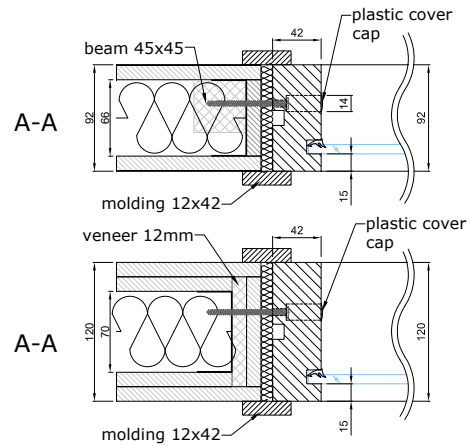
MODULE-42 | CONNECTIONS (WOODFRAME-R, UP-R)



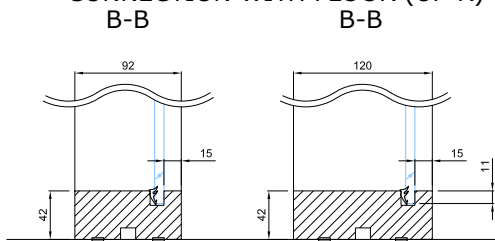
CONNECTION WITH CEILING



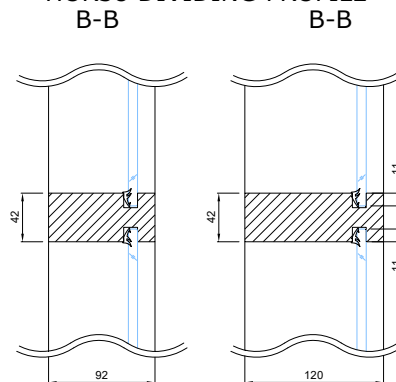
CONNECTION WITH WALL



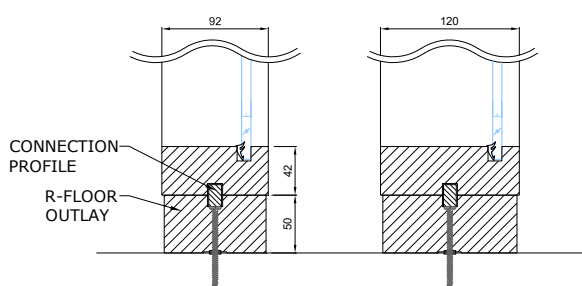
CONNECTION WITH FLOOR (UP-R)



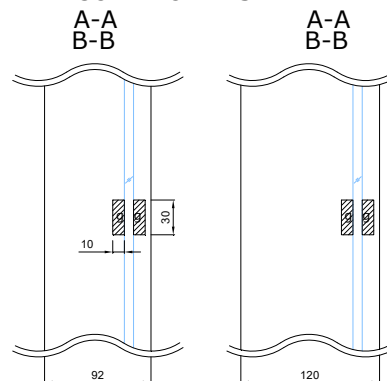
HOR38 DIVIDING PROFILE



CONNECTION WITH FLOOR (WOODFRAME-R)



DECOR PROFILES

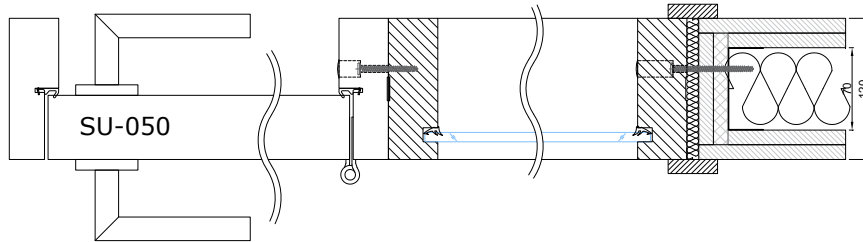


- ▬ - seal, FIX-SEAL/S 3x10mm, black
- ▬ - PX4, BLACK/COLOURLESS
- g - glued connection

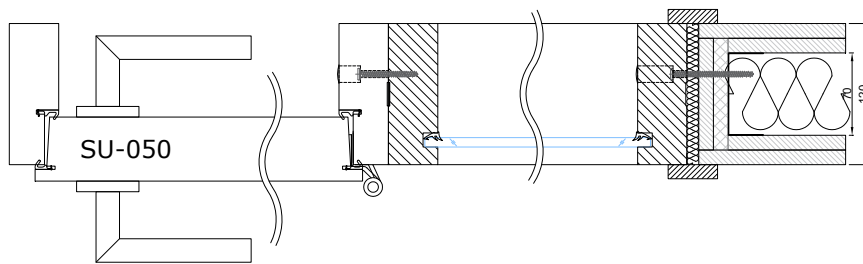
MODULE- 42 | CONNECTIONS WITH COMPATIBLE PRODUCTS



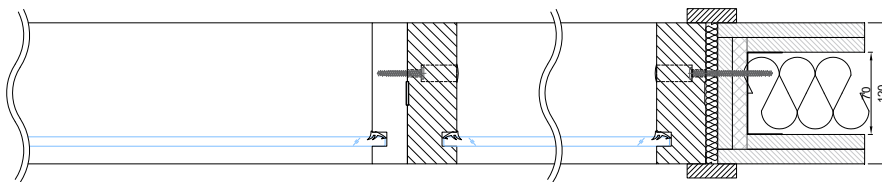
CONNECTION WITH DOOR-S



CONNECTION WITH DOOR-M



CONNECTION WITH ADJACENT MODULE-30



CONNECTION WITH ELZONE

