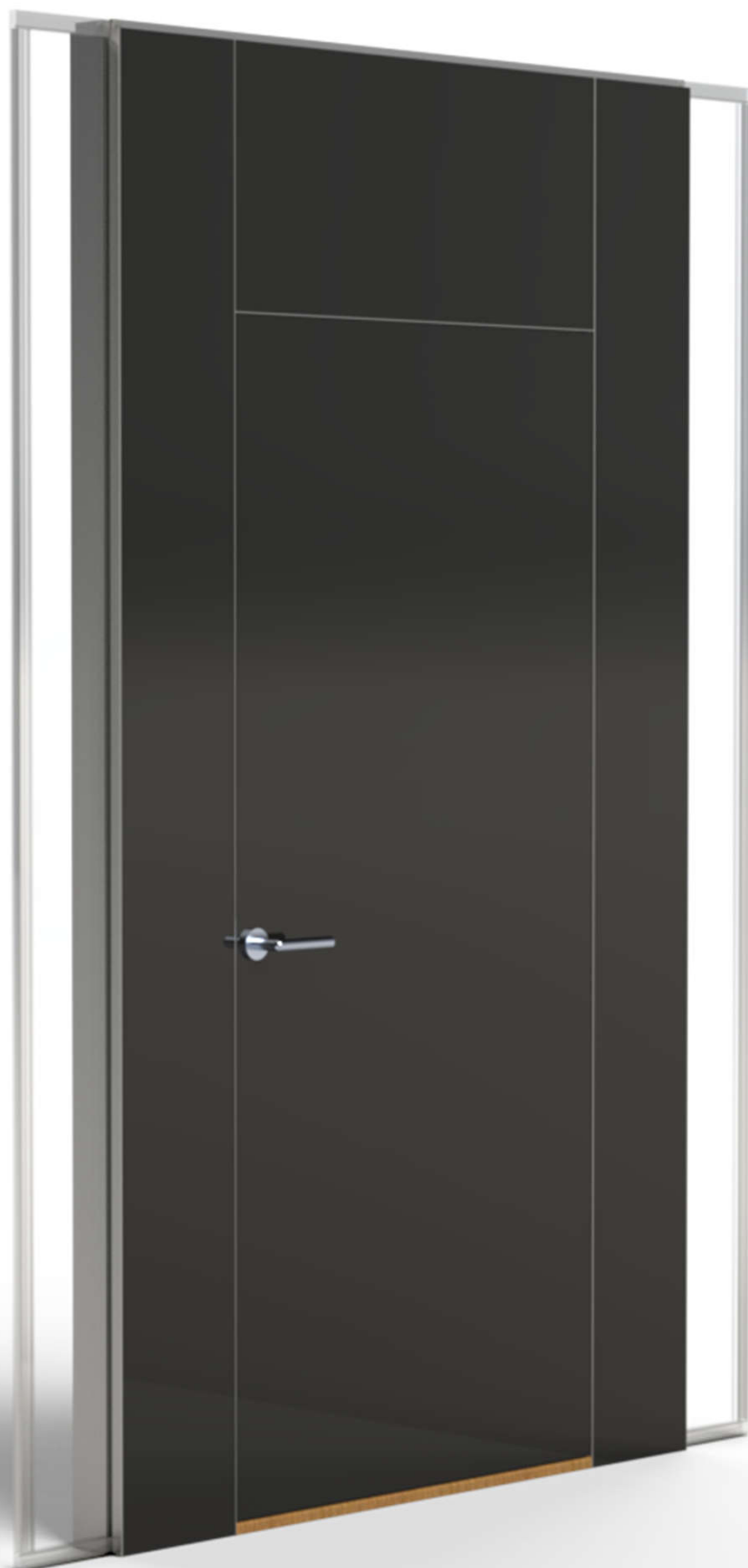


# structo

WALL  
SYSTEMS



A STYLISH SOLUTION FOR A MODERN OFFICE

FITS PERFECTLY WITH SINGLE AND DOUBLE GLAZED GLASS WALLS

PORTALS ARE FACTORY ASSEMBLED

LIGHTER THAN CORRESPONDING MDF PORTALS

EASY TO INSTALL

THE EDGES OF THE SIDE PANELS ARE PROTECTED BY ALUMINUM PROFILES

POSSIBLE TO CHOOSE DIFFERENT COLOR FOR MDF PANELS AND ALUMINUM PROFILES

## PORTA—92M

Maximum height of the portal if side panels are in one piece:	2790 mm*
* coloured	
Maximum height of the portal if side panels are divided into two parts:	4000 mm
Maximum external dimensions of the door frame (width x height):	1090 x 2390 mm*
* with SU-050 door panel	
Portal thickness:	92 mm



+372 666 5017



info@structo.ee



www.structo.ee

PORTA-92M is a factory assembled portal system with aluminum construction with a thickness of 92mm, covered with MDF panels. The system is designed without moldings.

The portal has an installation reserve of 8-40mm at the top and 0-15mm on both sides, which is why it is easy to install even if the construction openings are not the same size.

The portal can be ordered opening both in and outwards, and in both cases, the door panel is in the same plane as the rest of the portal when viewed from the outside.

Standard single-panel door frame widths are: M7 (690mm), M8 (790mm), M9 (890mm), M10 (990mm).

The standard door frame height is M21 (2090mm). It is also possible to order paired doors, double doors, doors with glass openings and doors of special size.

The standard door types are SU-050 (thickness of the door panel is 53mm) and SU-060 (thickness is 66,5mm).

Side sections are ideal for connectors, switches, cabling, etc.

The minimum width of the side panel for inside opening portal when installing electrical accessories is 164 mm when viewed from the outside (132mm from the inside). Corresponding dimensions for outside opening portal are 140mm and 152mm.

MDF 10mm panels of one side are glued to the carcass, for other side is equipped with openable clip-system. For veneered or laminated finishes MDF 8mm panels are used.

To increase soundproofing, mineral wool and up to 2 layers of plasterboard are installed between the carcass.

If necessary, an acoustic air duct for the transfer air can be ordered above and/or next to the door (Sound Screen).

The structures adjacent to the product must be strong enough to allow profiles to be attached to them.

Possible coatings for panels and door panels are:

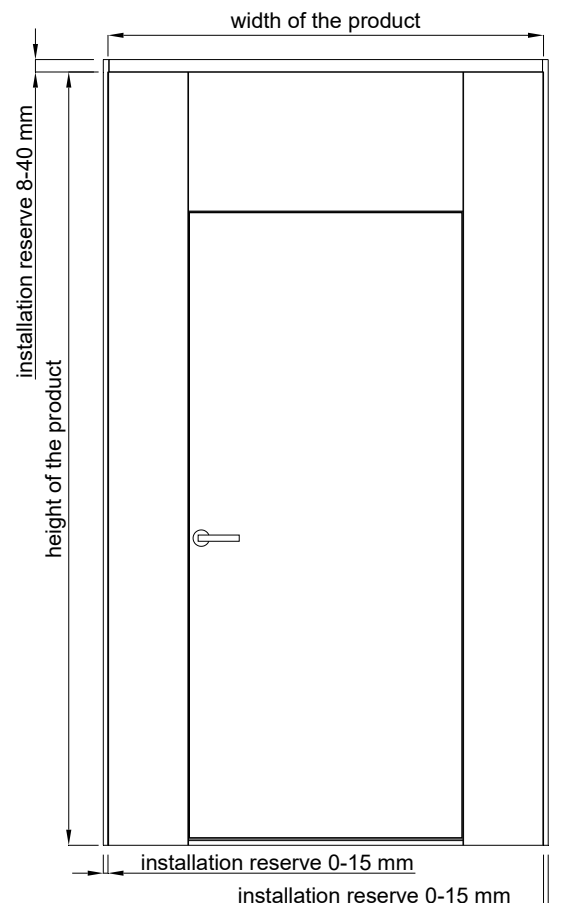
- painted according to RAL, NCS or Tikkurila colour catalogues.
- covered with natural or technical veneer, which may be stained and varnished, varnished with tinted varnish or painted.
- laminated (the edges of the door panel are painted).

The standard surface finish of aluminum profiles is natural (silver) anodizing but it is also possible to order a painted surface according to the RAL colour catalogue.

The thresholds are made of oak. It is also possible to order an automatically descending seal.

The standard lock case is ASSA 565-50 and the counterpart ASSA 2864. It is possible to order other lock cases and counterparts and also electrical lock cases and/or counterparts.

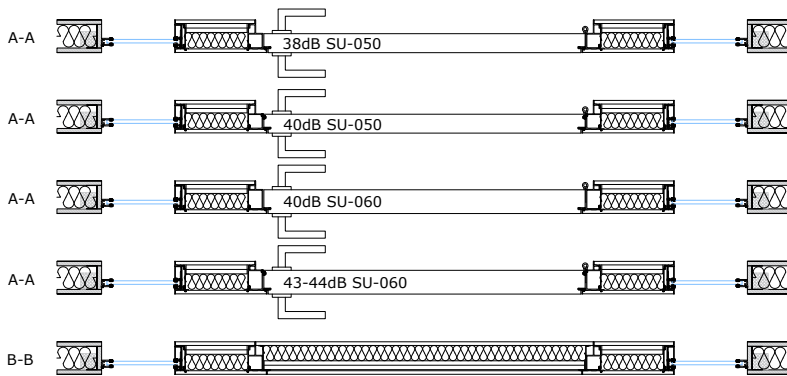
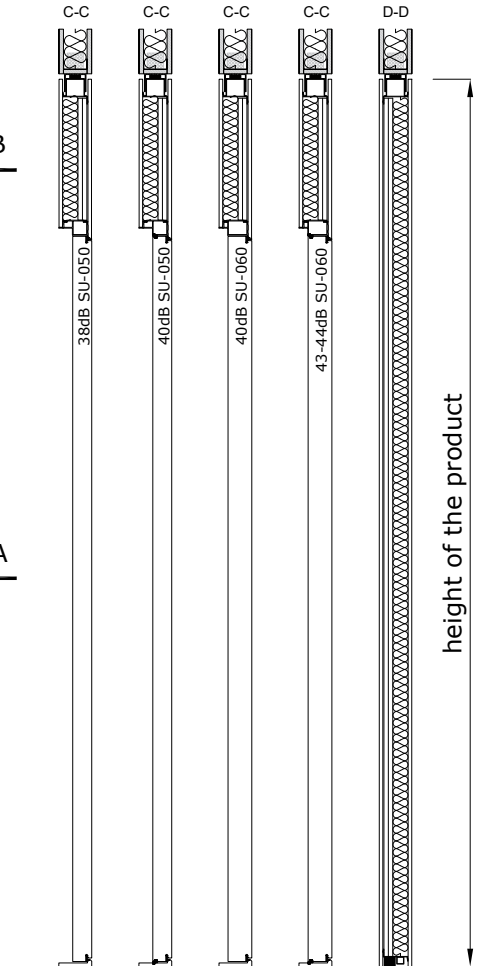
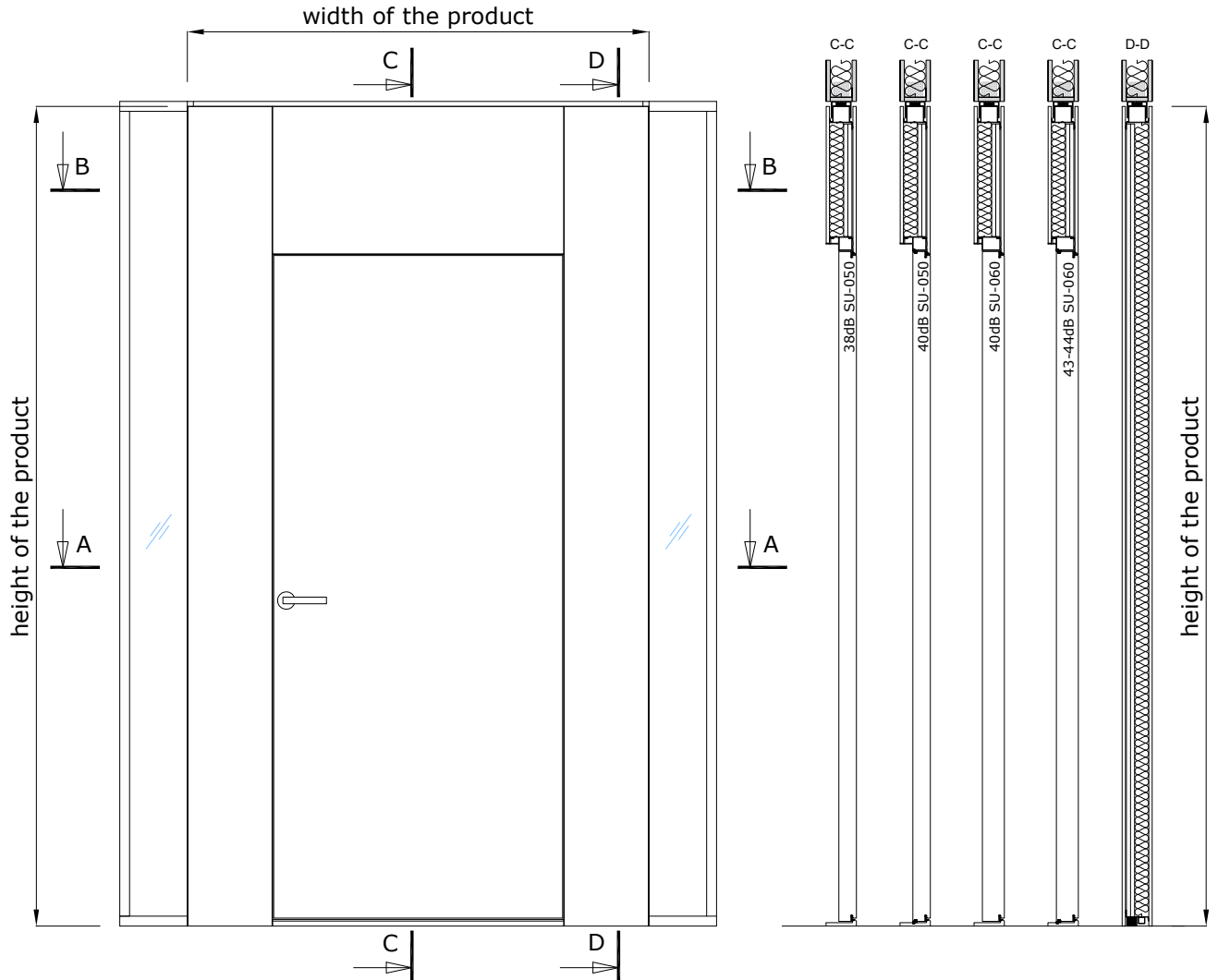
The standard solution uses Abloy 3248 hinges. Other hinges can also be used (incl. hidden hinges).



Maximum height of the portal if side panels are in one piece: * coloured	<b>2790 mm*</b>
Maximum height of the portal if side panels are divided into two parts:	<b>4000 mm</b>
Minimum solid door panel width:	<b>250 mm</b>
Minimum door panel width with a glass opening:	<b>560 mm</b>

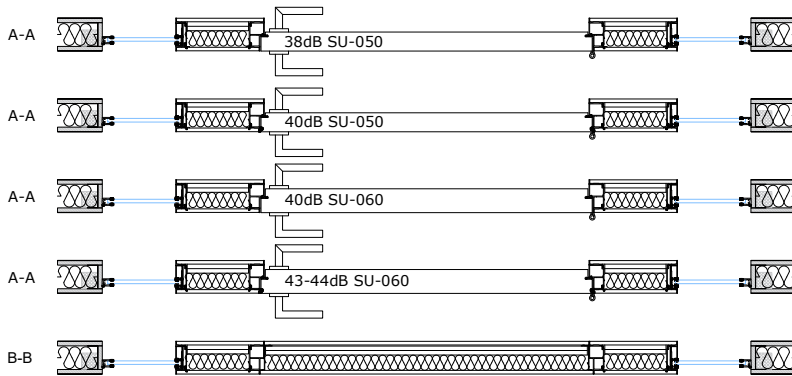
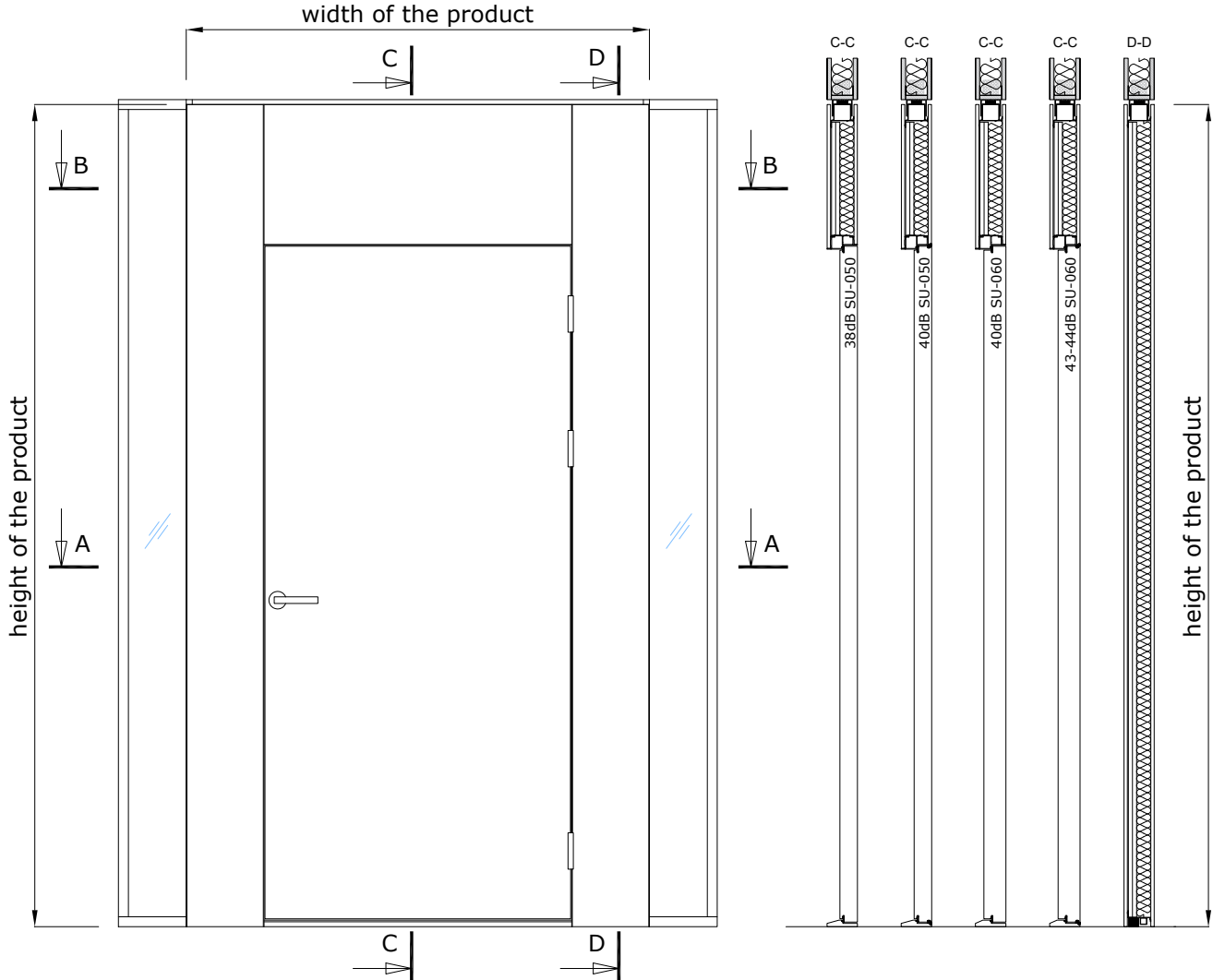
# PORTA-92M

WITH INWARDS OPENING DOOR



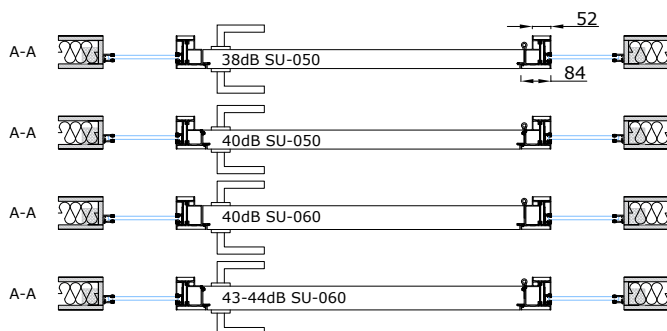
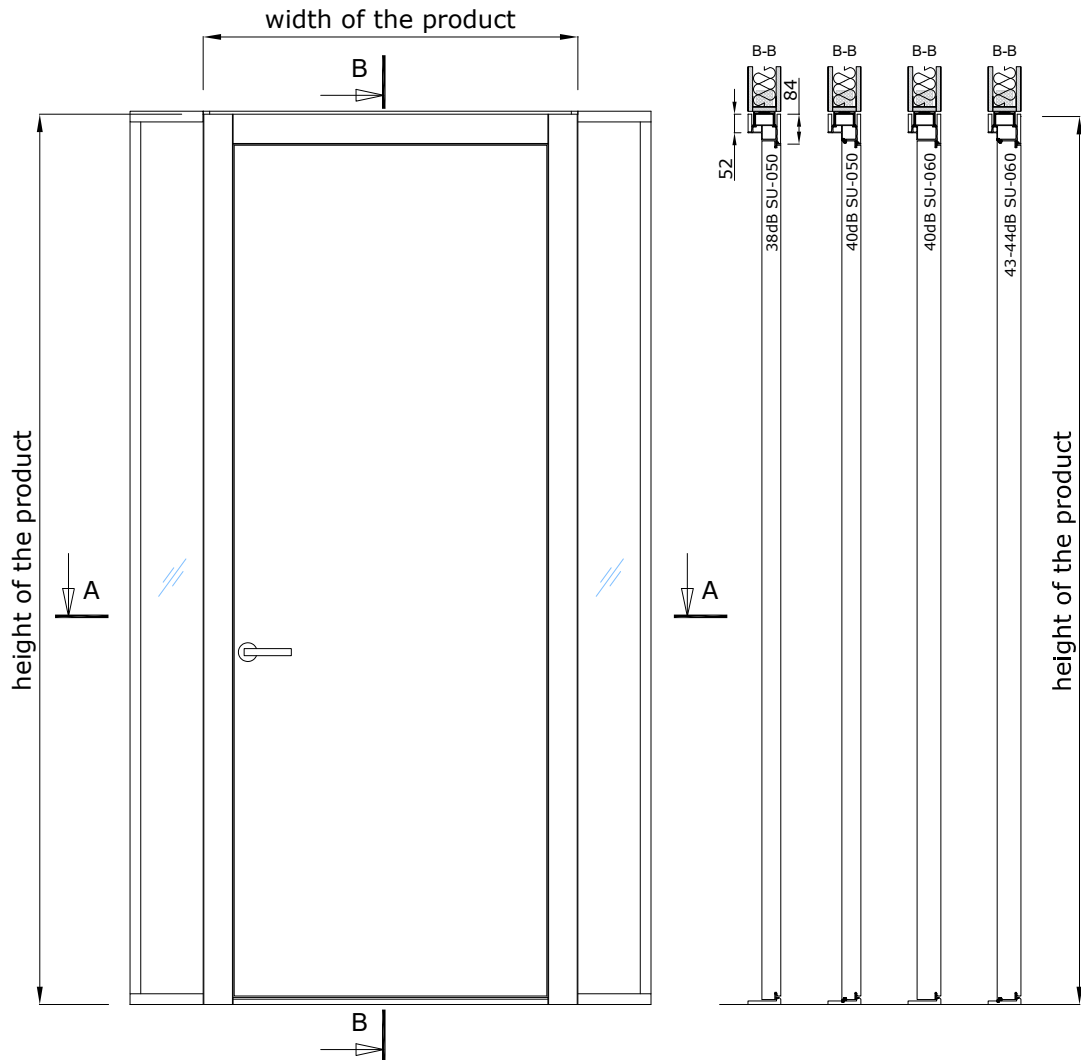
# PORTA-92M

WITH OUTWARDS OPENING DOOR



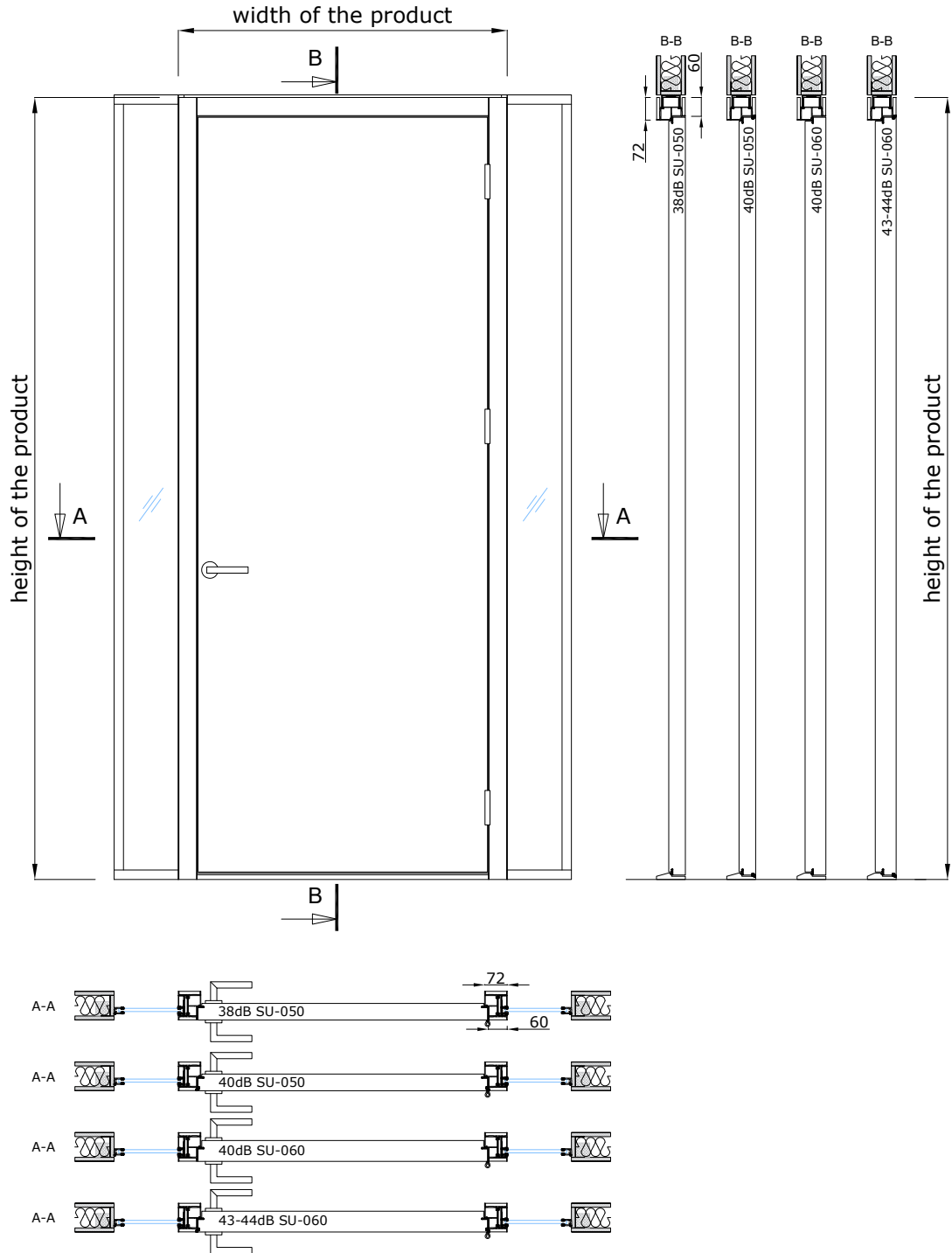
# PORTA-92M

## INWARDS OPENING DOOR MINIMUM SIDE AND TOP PANEL DIMENSIONS



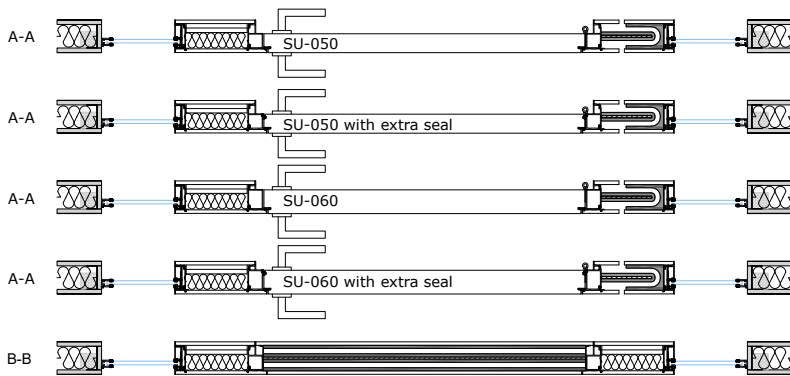
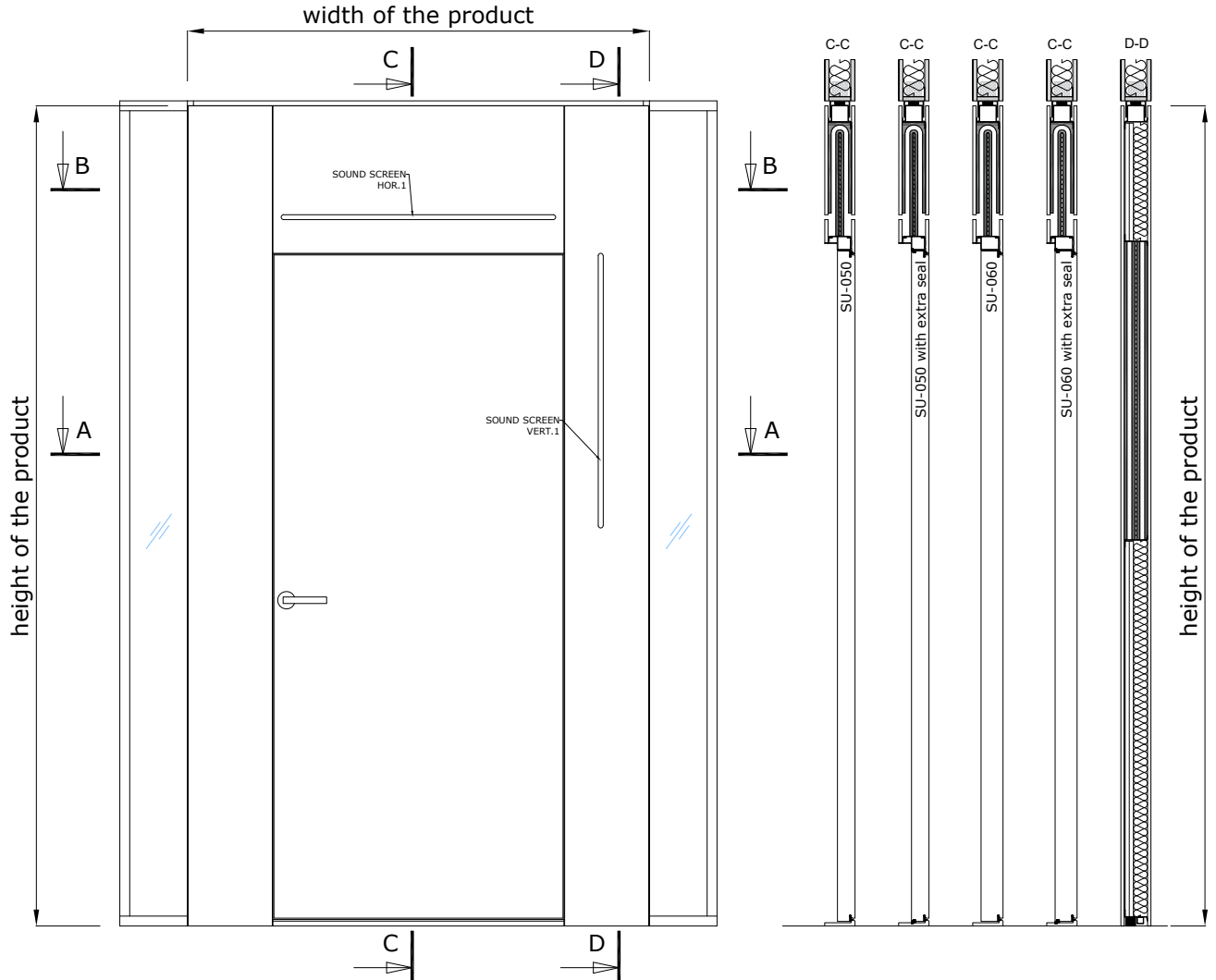
# PORTA-92M

## OUTWARDS OPENING DOOR MINIMUM SIDE AND TOP PANEL DIMENSIONS



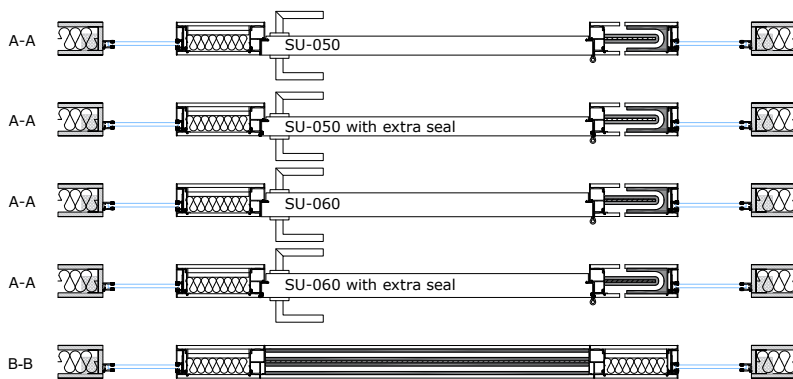
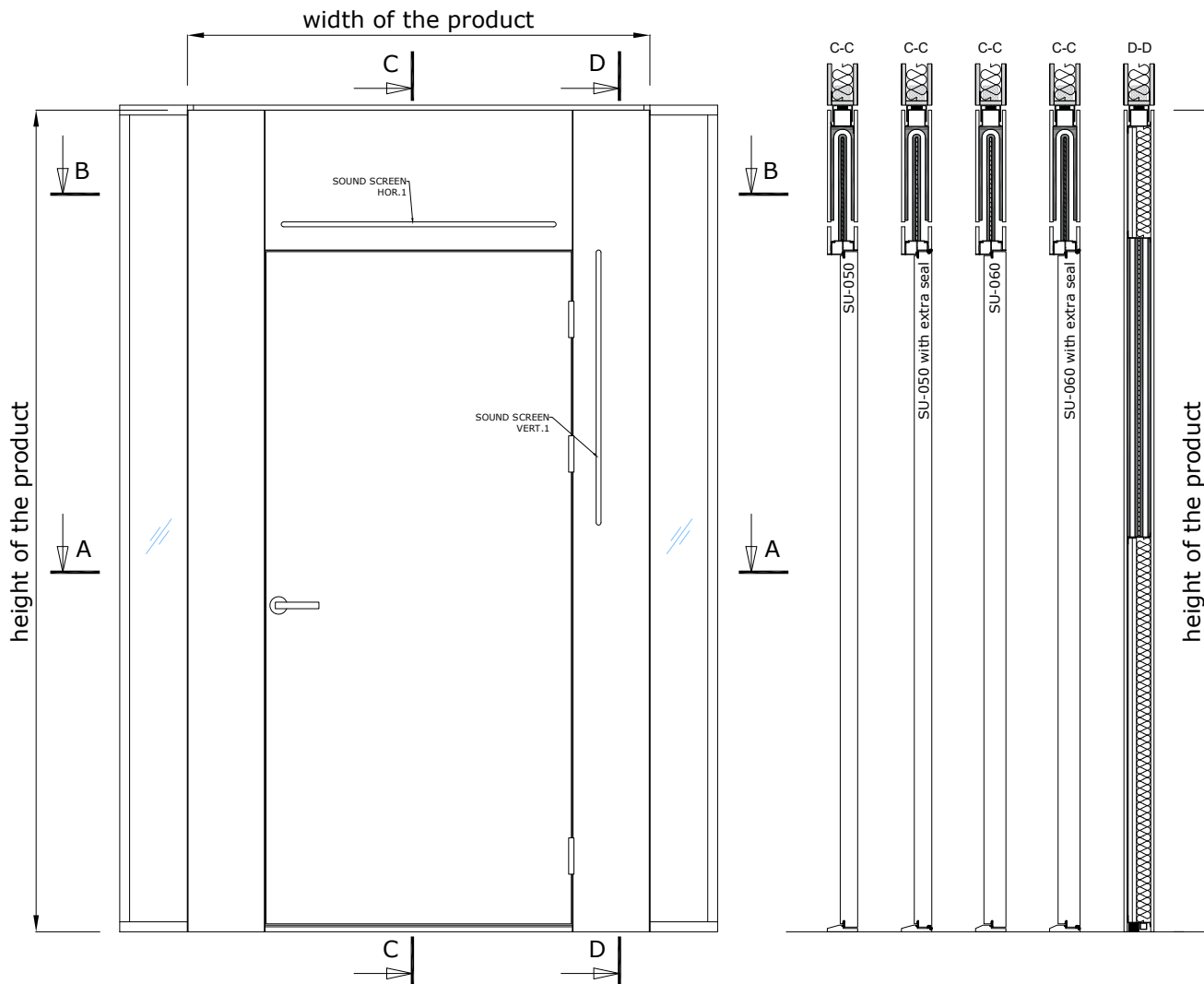
# PORTA-92M

## SINGLE SOUND SCREEN OPTIONS FOR INWARDS OPENING DOOR



# PORTA-92M

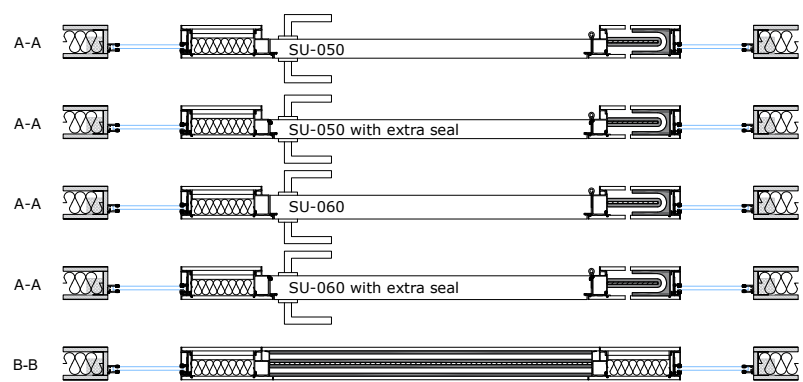
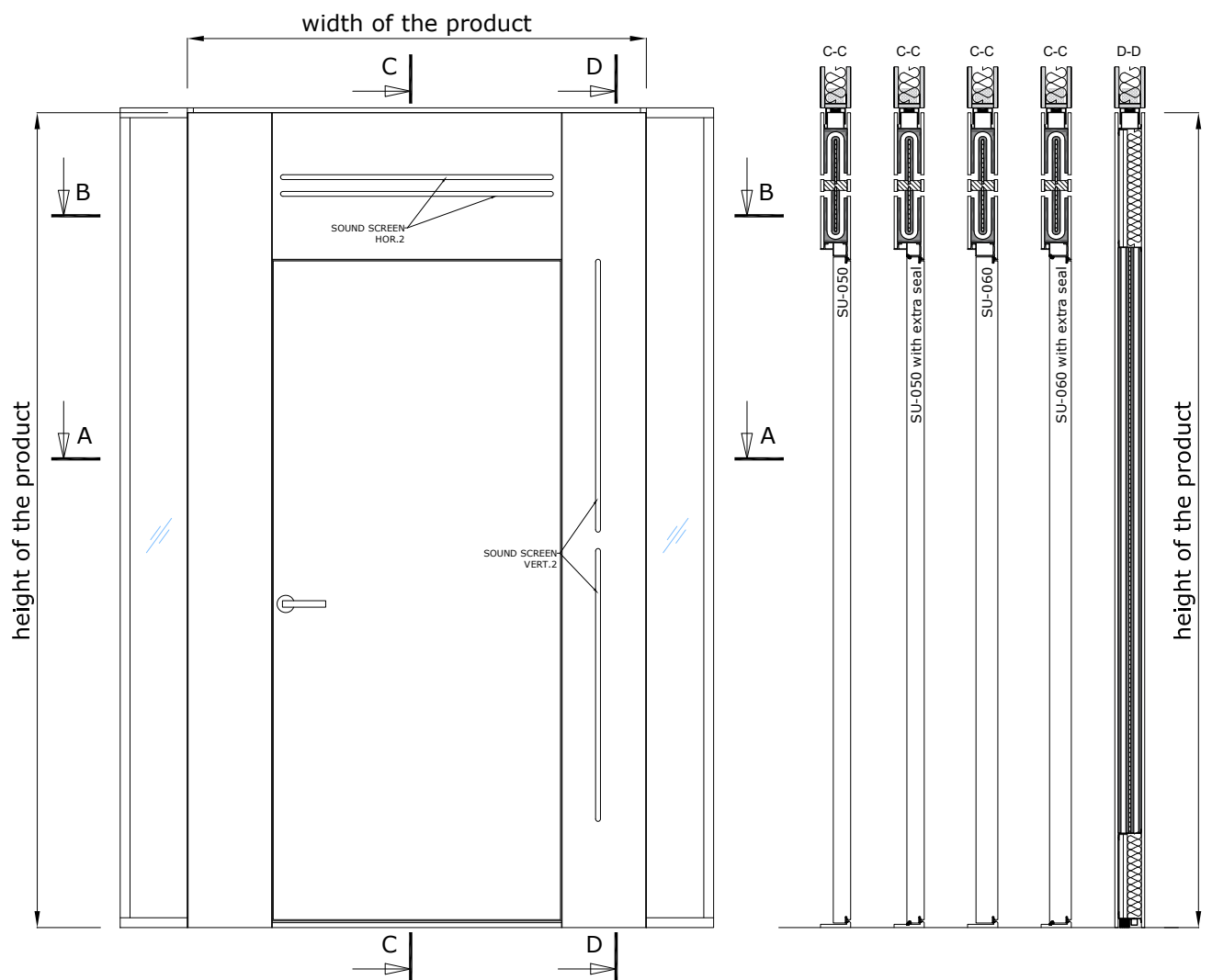
## SINGLE SOUND SCREEN OPTIONS FOR OUTWARDS OPENING DOOR





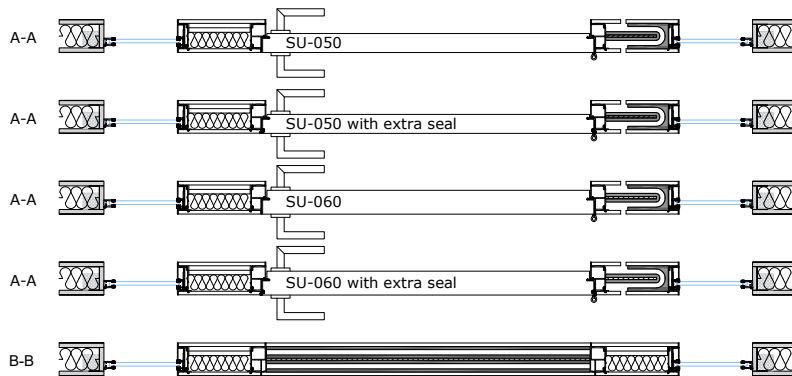
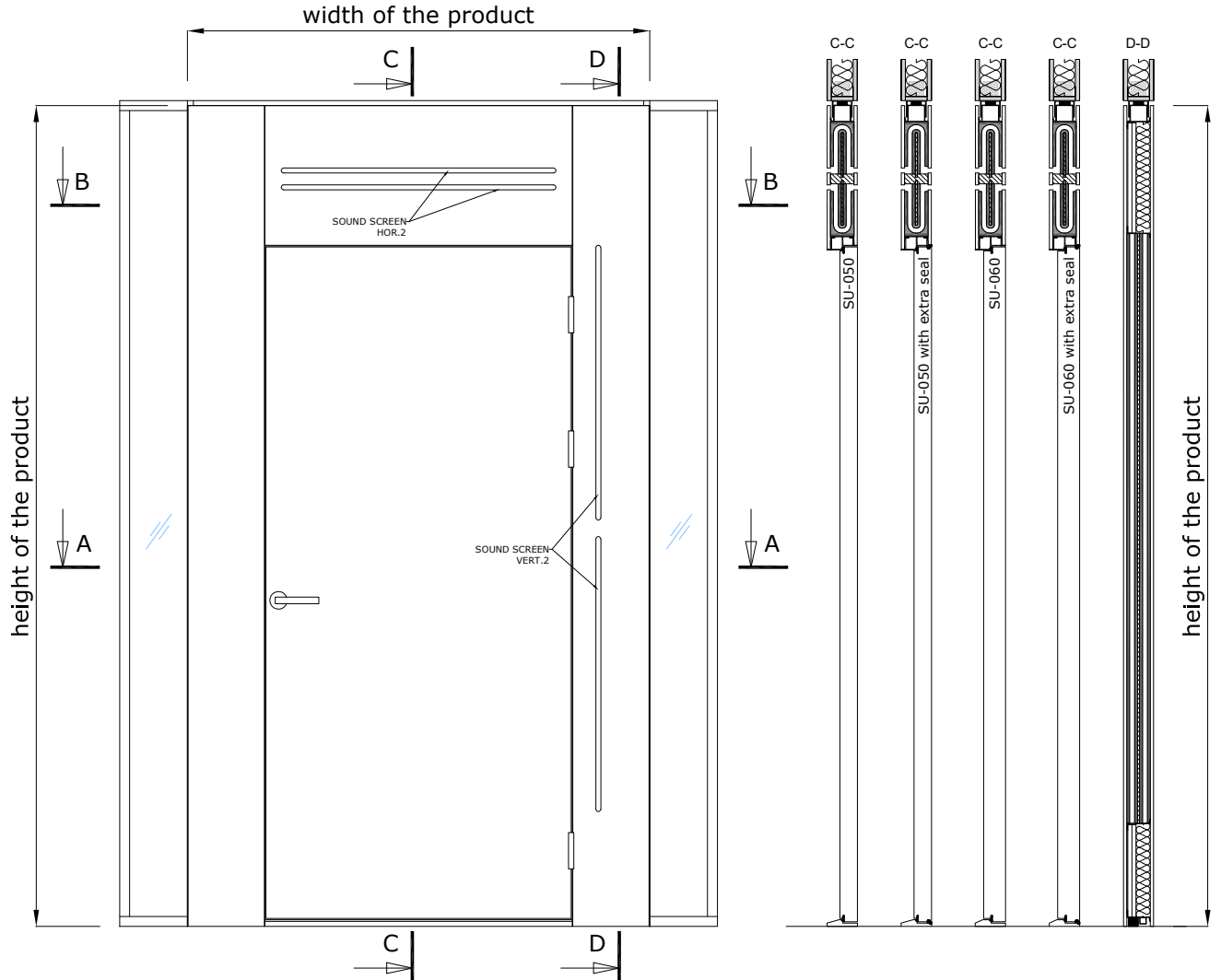
# PORTA-92M

## DOUBLE SOUND SCREEN OPTIONS FOR INWARDS OPENING DOOR



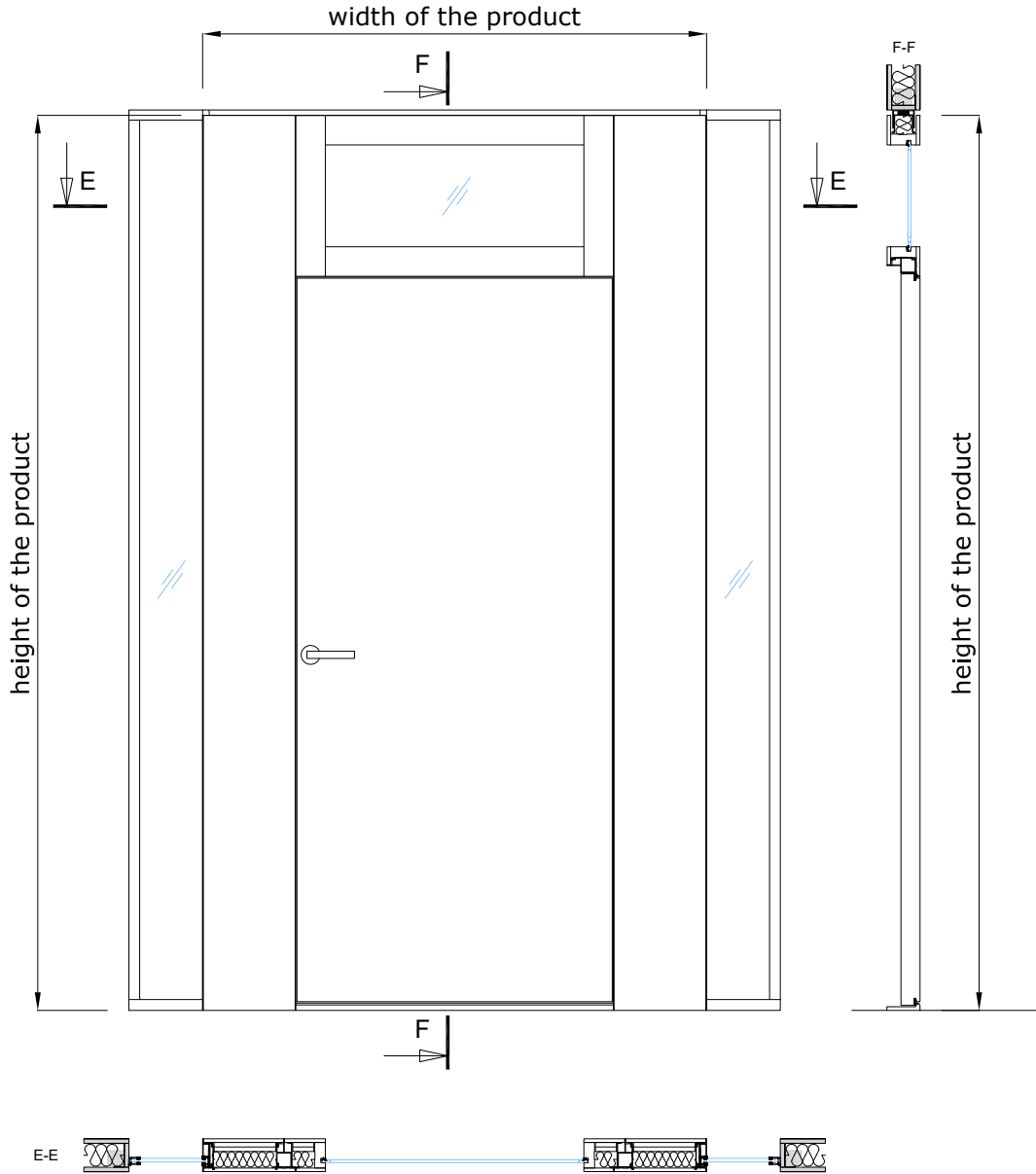
# PORTA-92M

DOUBLE SOUND SCREEN OPTIONS  
FOR OUTWARDS OPENING DOOR



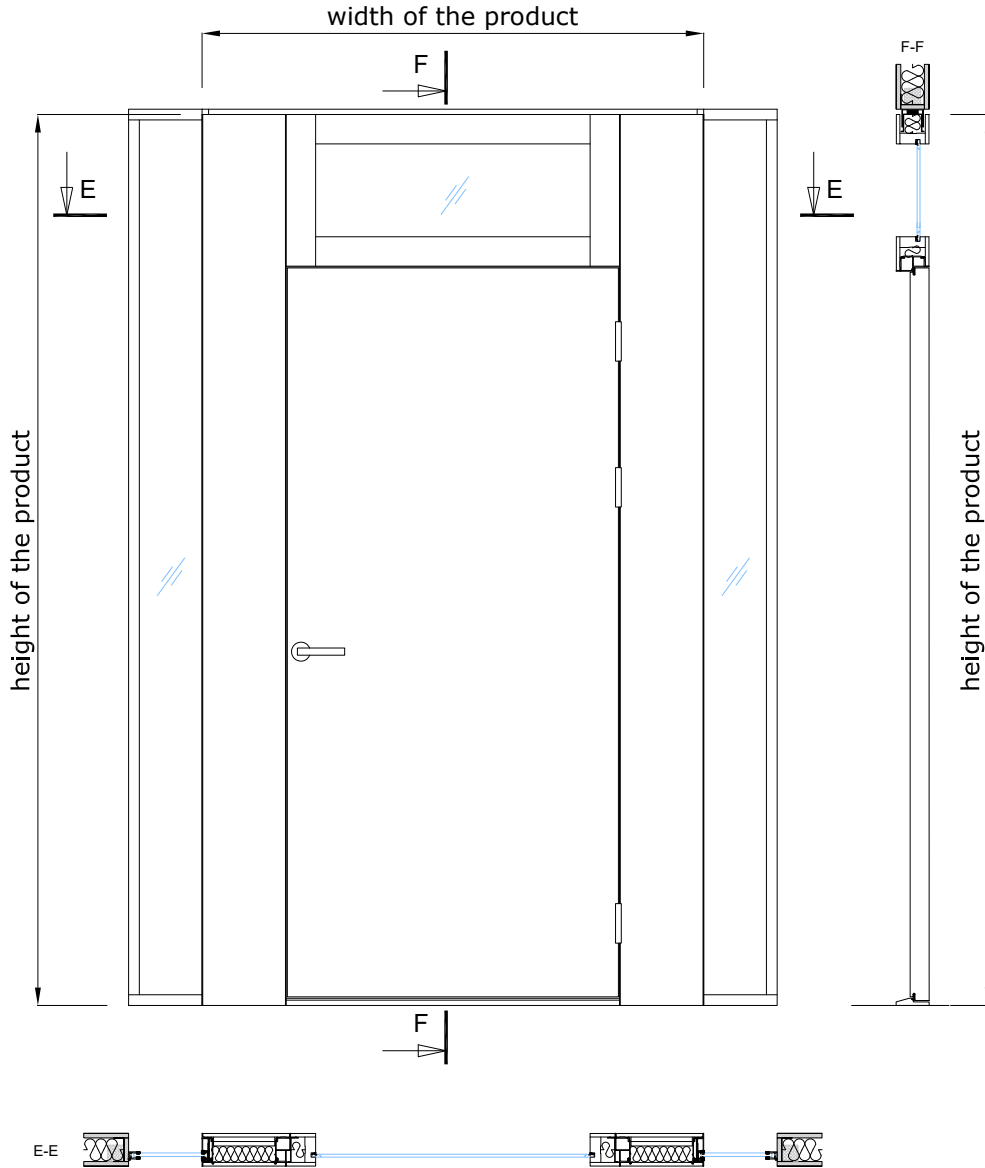
# PORTA-92M

INWARDS OPENING DOOR WITH  
OPTIONAL UPPER GLASS OPENING



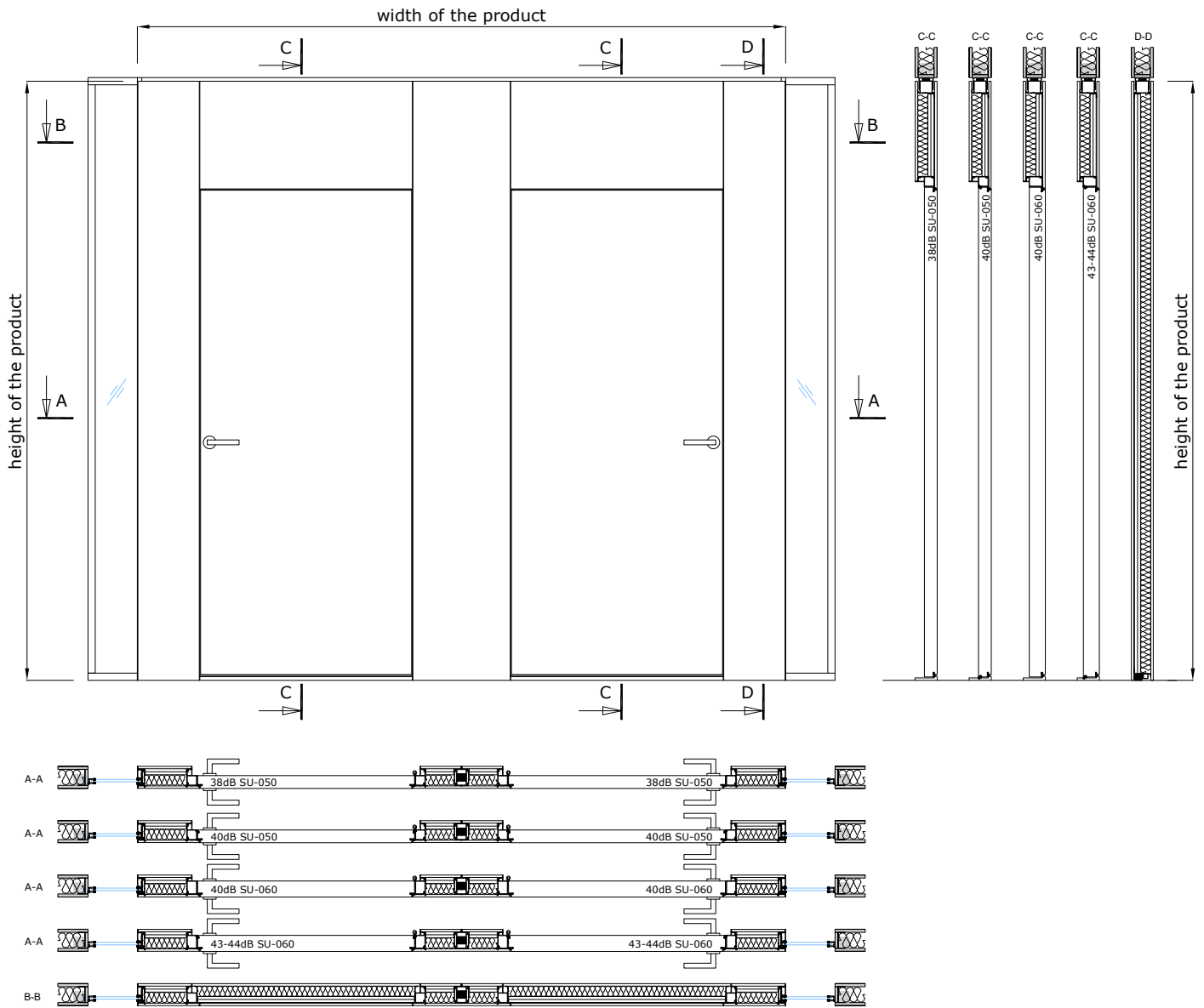
# PORTA-92M

OUTWARDS OPENING DOOR WITH  
OPTIONAL UPPER GLASS OPENING



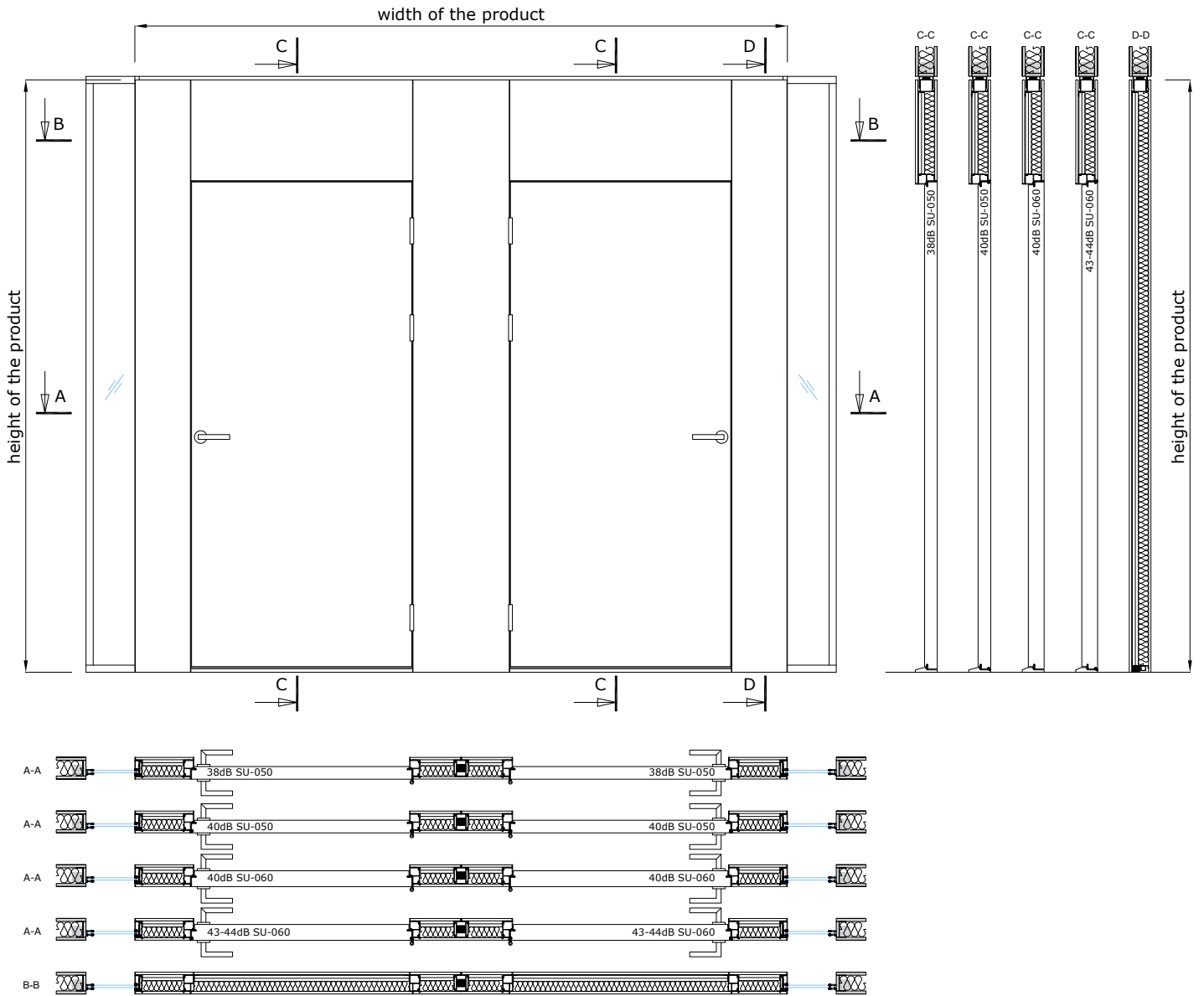
# PORTA-92M

## INWARDS OPENING DOUBLE PORTAL



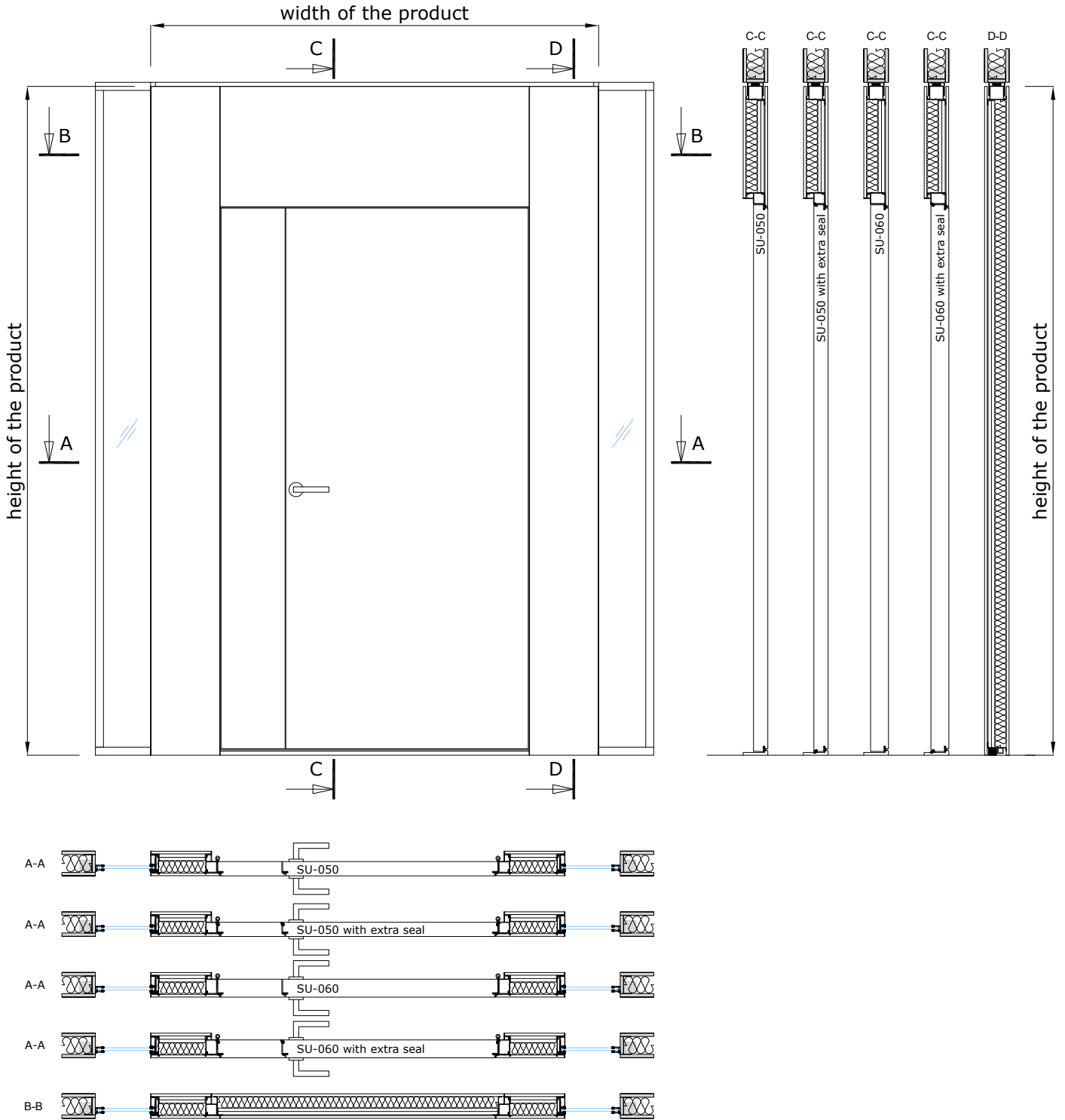
# PORTA-92M

## OUTWARDS OPENING DOUBLE PORTAL



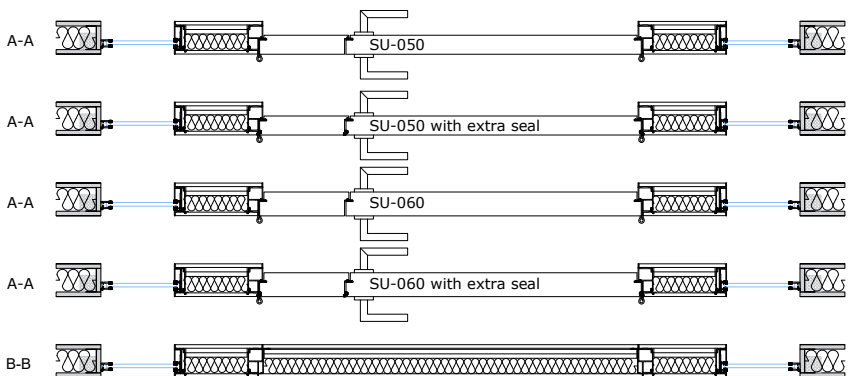
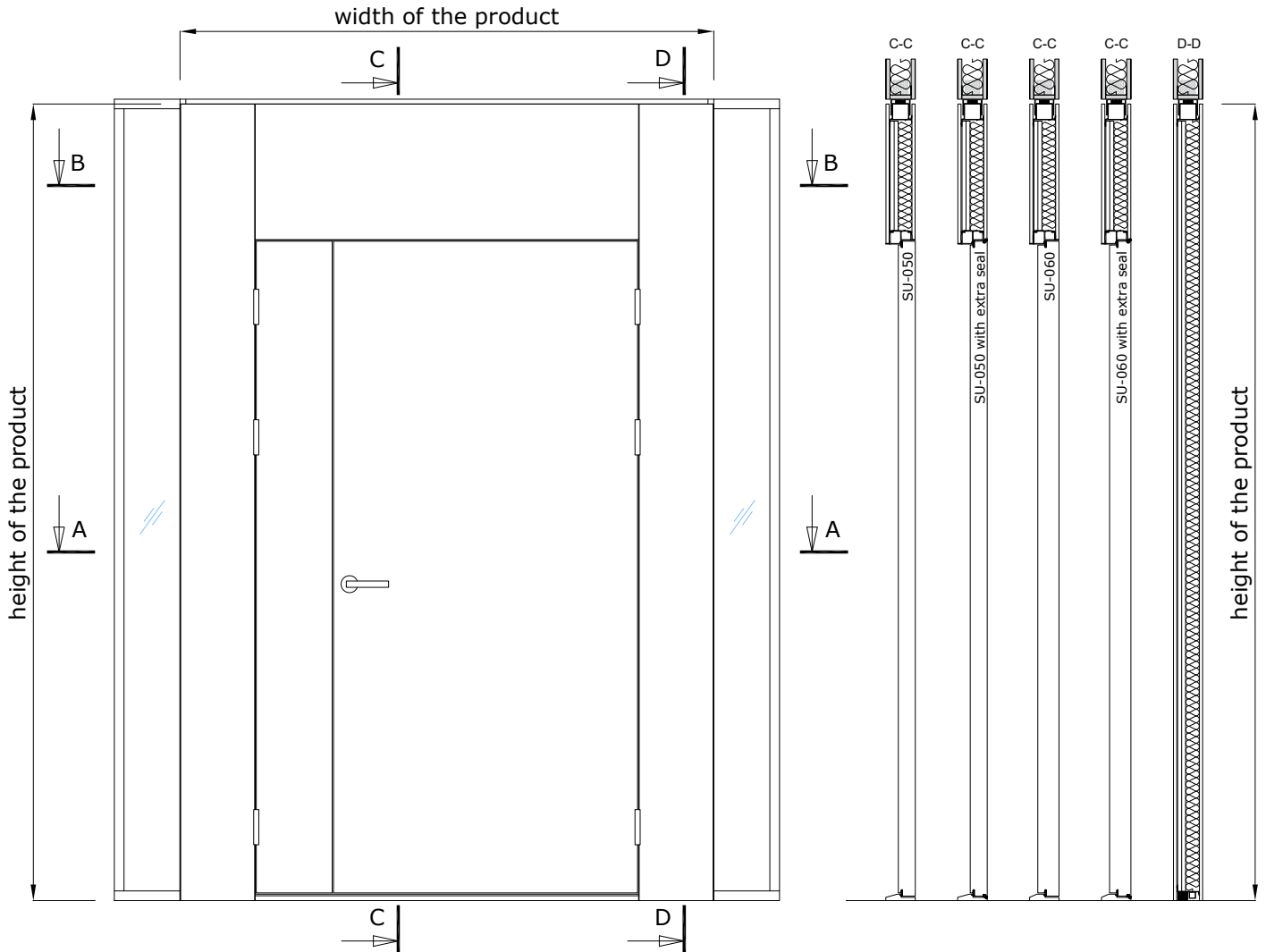
# PORTA-92M

## INWARDS OPENING PAIR DOOR



# PORTA-92M

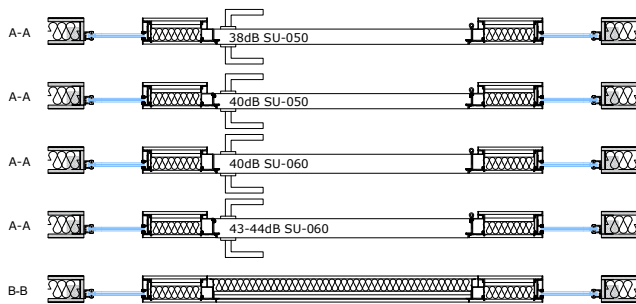
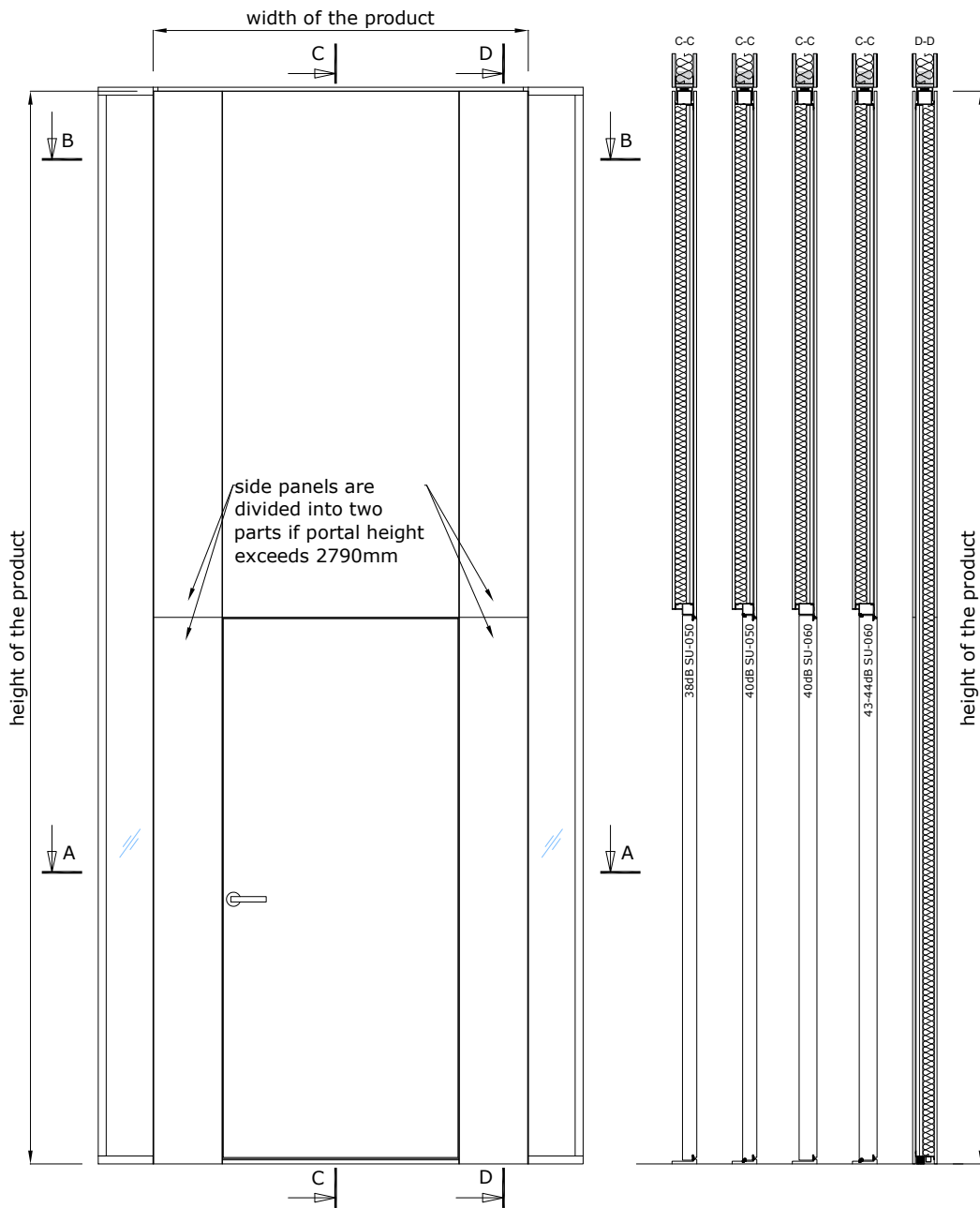
## OUTWARDS OPENING PAIR DOOR





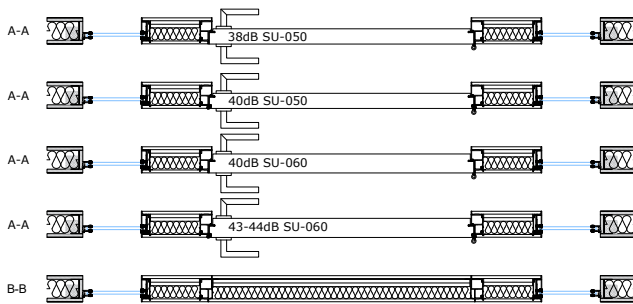
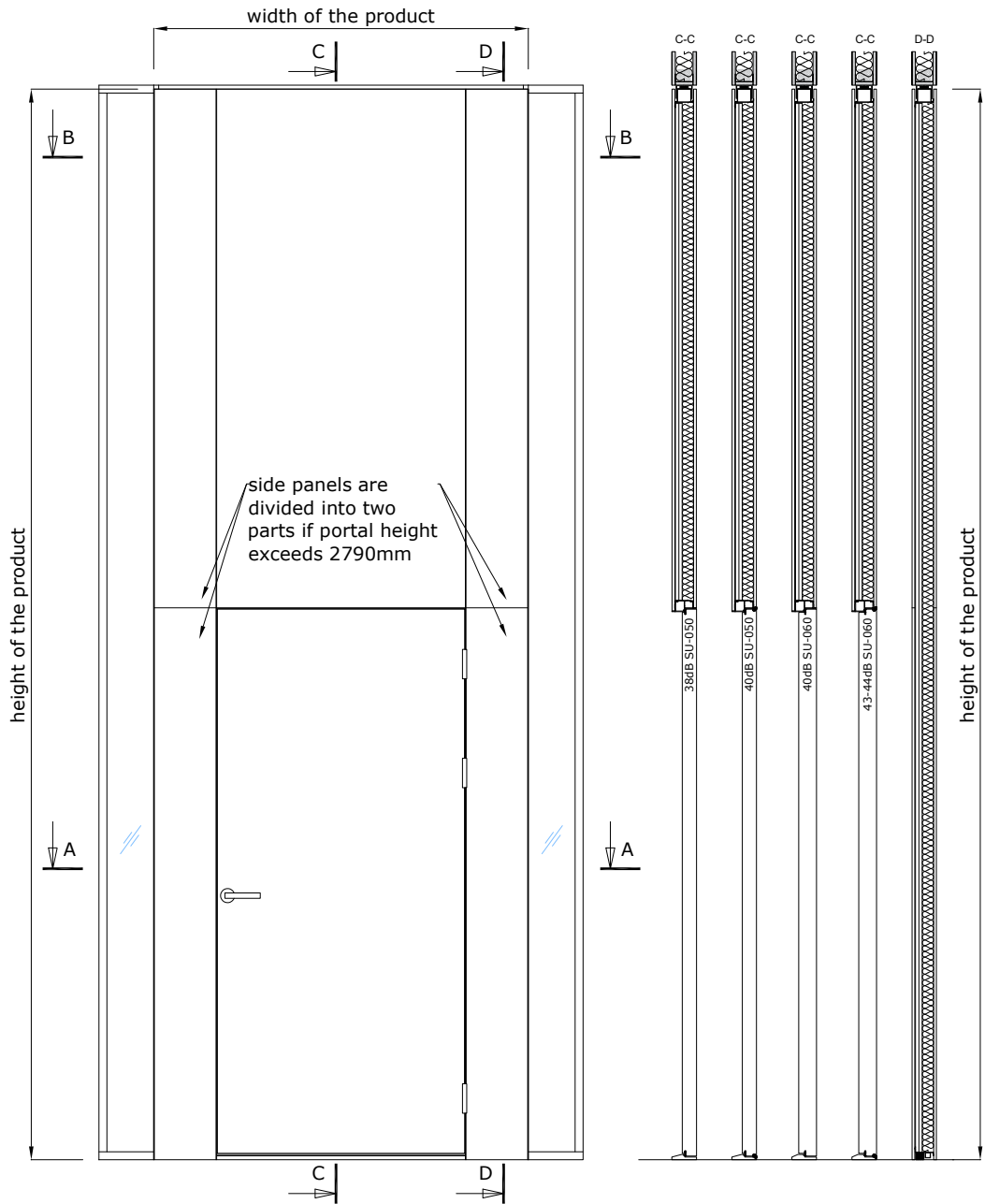
# PORTA-92M

## INWARDS OPENING PORTAL WITH DIVIDED SIDE PANELS

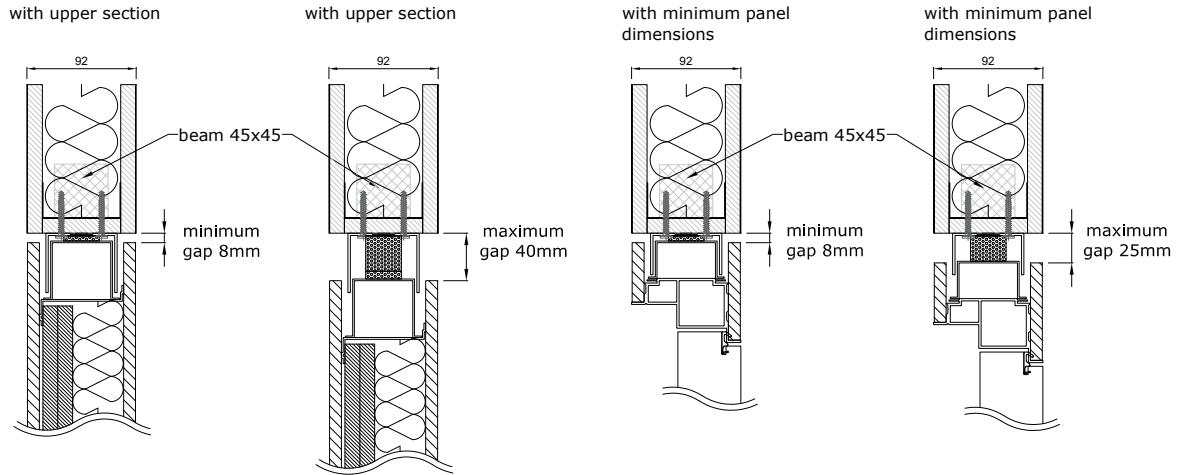


# PORTA-92M

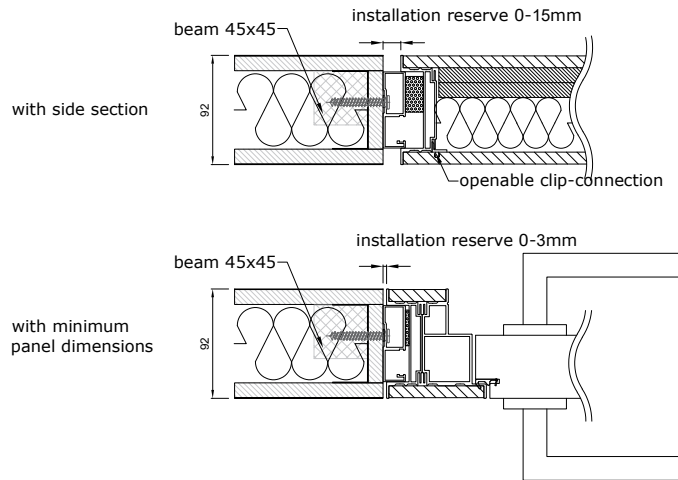
## OUTWARDS OPENING PORTAL WITH DIVIDED SIDE PANELS



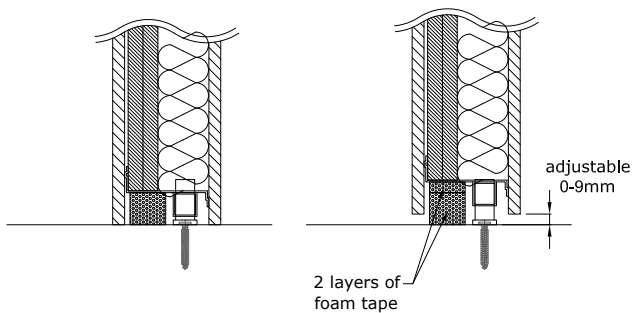
CONNECTION WITH CEILING



CONNECTION WITH WALL

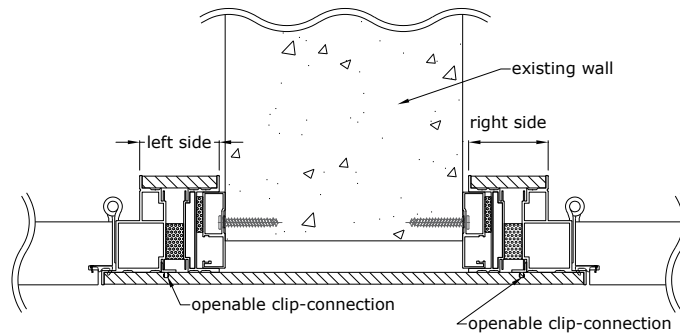


CONNECTION WITH FLOOR

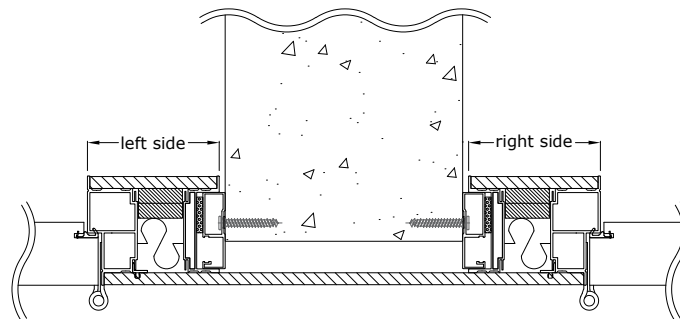


-  - self expanding foam tape
-  - seal, FIX-SEAL/S 3x10mm or 1x10mm, black
-  - QL3096, RAL9005 black, RAL9003 white, RAL7001 silver gray, RAL8017 bronze
-  - additional seal 1992, for better soundproofing, RAL9010 white, RAL9017 black, RAL7040 gray, beige

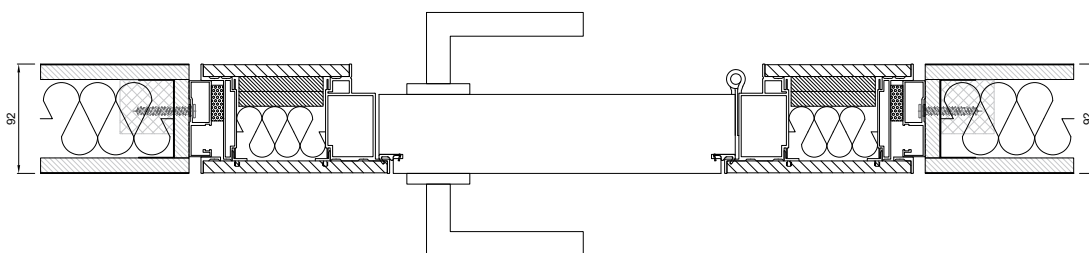
INWARDS OPENING DOUBLE PORTAL CONNECTION WITH EXISTING WALL



OUTWARDS OPENING DOUBLE PORTAL CONNECTION WITH EXISTING WALL

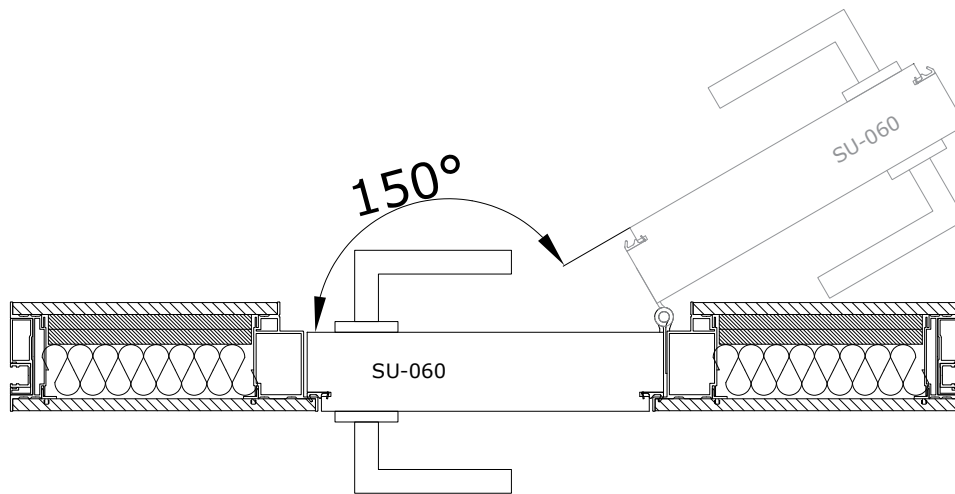
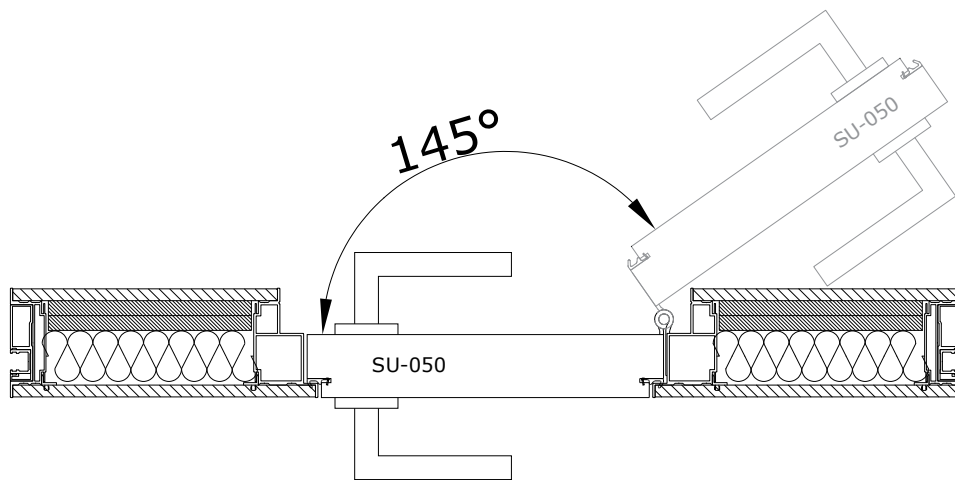





INSTALLING PORTAL TO AN OPENING WITHOUT ADJACENT GLASS WALLS



PORTA-92M

INWARDS OPENING PORTAL MAXIMUM  
OPENING ANGLES



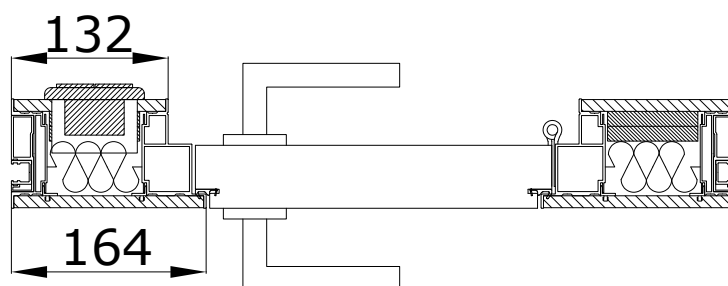
	+372 666 5017		info@structo.ee		www.structo.ee
---	---------------	---	-----------------	---	----------------

PORTA-92M

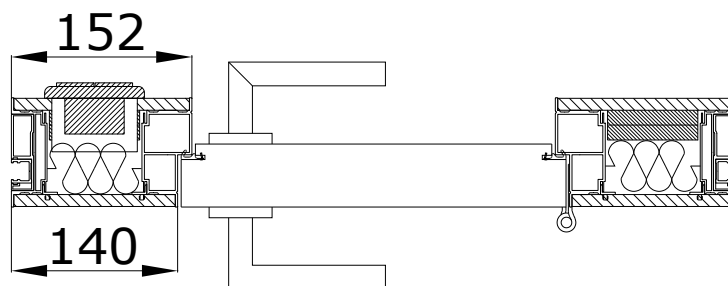
MINIMUM SIDE PANEL WIDTHS FOR  
ELECTRICAL INSTALLATIONS



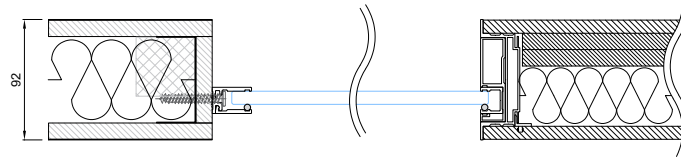
INWARDS OPENING DOOR



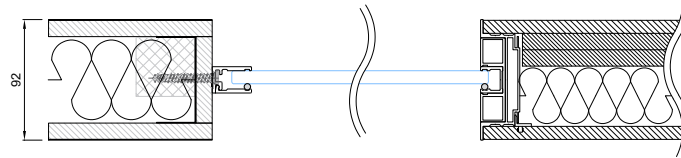
OUTWARDS OPENING DOOR



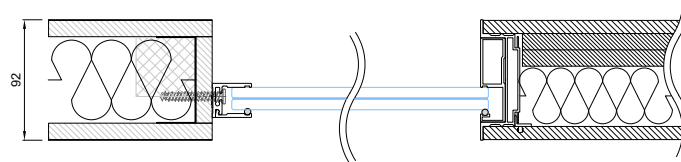
### CONNECTION WITH GLASSLINE-30 GLASS WALL



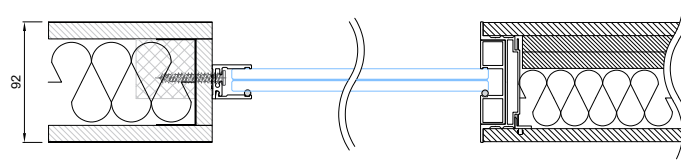
### CONNECTION WITH GLASSLINE-30 GLASS WALL



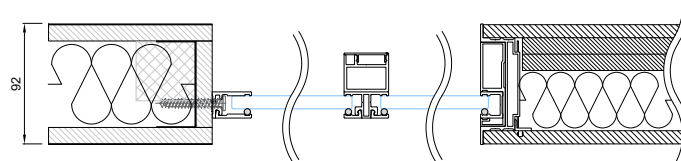
### CONNECTION WITH GLASSLINE-32 GLASS WALL



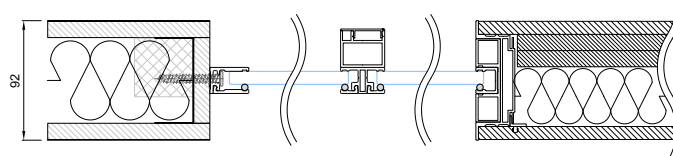
### CONNECTION WITH GLASSLINE-32 GLASS WALL



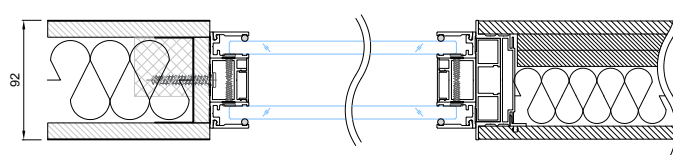
### CONNECTION WITH ALULINE-30 GLASS WALL



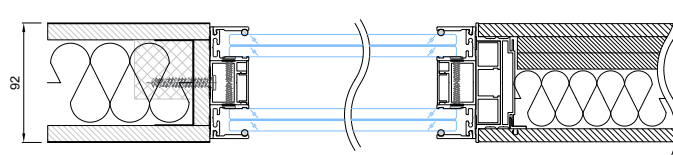
CONNECTION WITH ALULINE-30 GLASS WALL



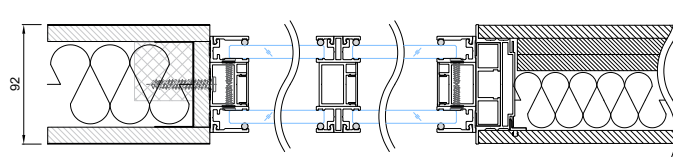
CONNECTION WITH DOUBLELINE-30 GLASS WALL



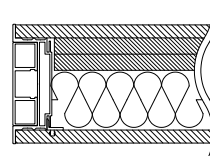
CONNECTION WITH DOUBLELINE-32 GLASS WALL



CONNECTION WITH DOUBLELINE-A30 GLASS WALL

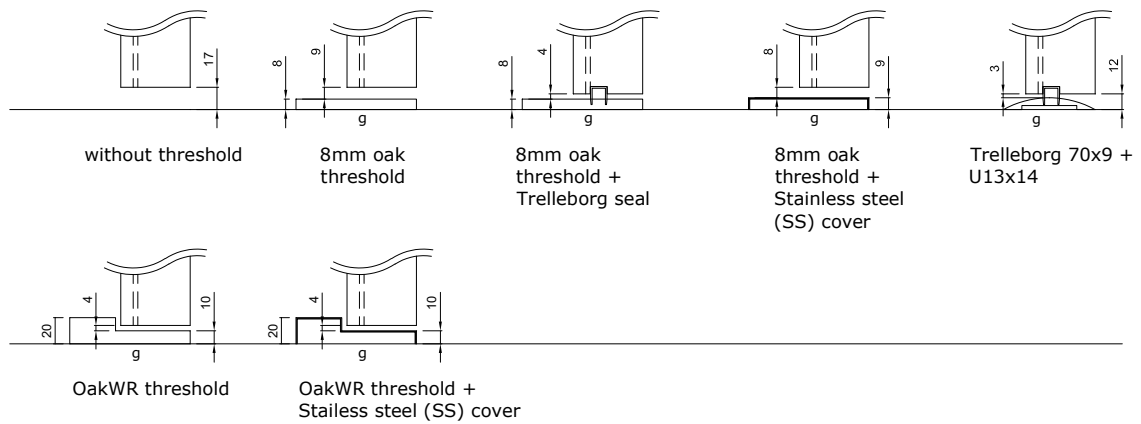


SOLUTION WITH A GROOVELESS ENDING PROFILE

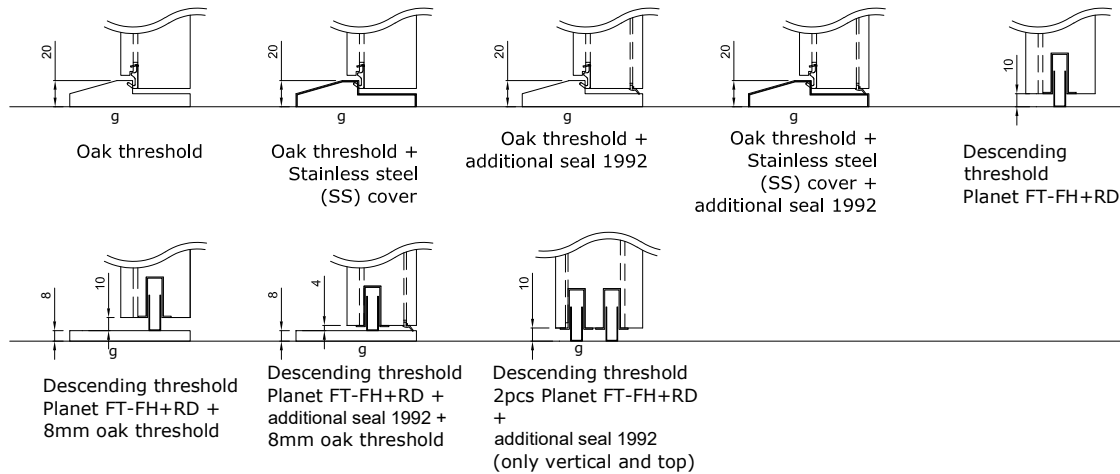




STANDARD THRESHOLD OPTIONS



SOUNDPROOF THRESHOLD OPTIONS

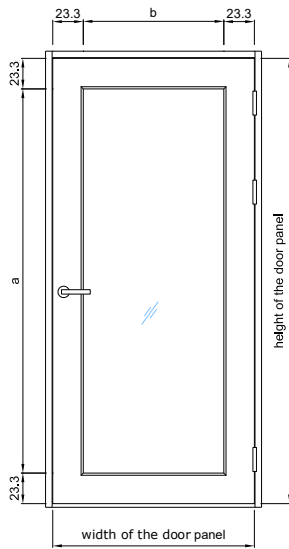


# PORTA-92M

## DOOR PANELS WITH GLASS OPENINGS

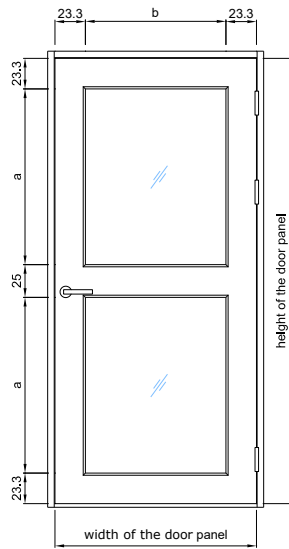


### G01



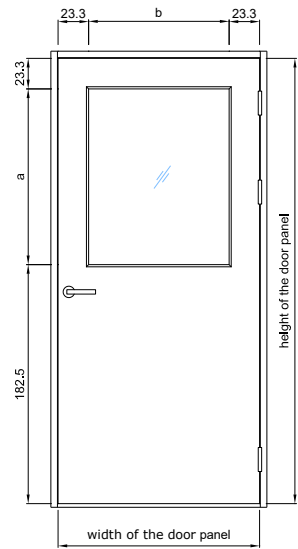
a = height of the door panel - 280mm  
b = width of the door panel - 280mm

### G03



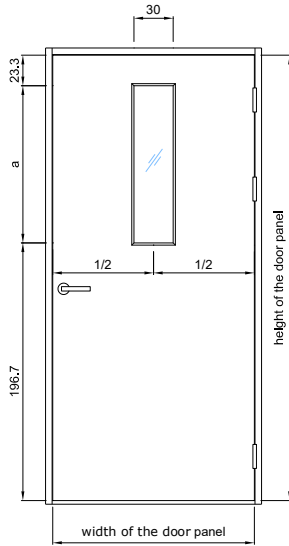
a = (height of the door panel - 430mm) / 2  
b = width of the door panel - 280mm

### G21



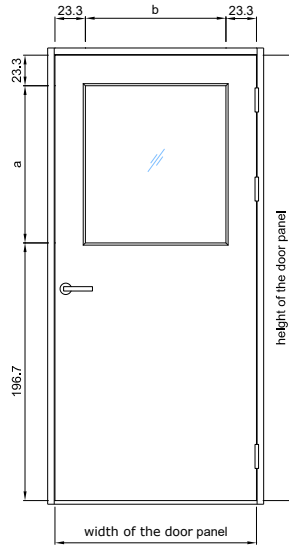
a = height of the door panel - 1235mm  
b = width of the door panel - 280mm

### G23



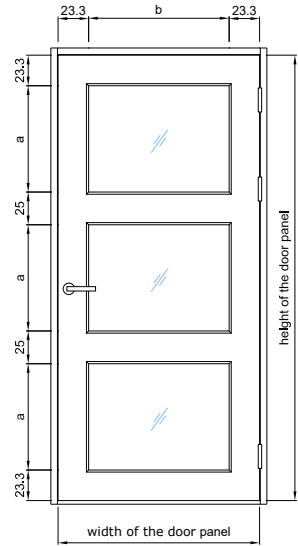
a = height of the door panel - 1320mm

### G24



a = height of the door panel - 1320mm  
b = width of the door panel - 280mm

### G30



a = (height of the door panel - 580mm) / 3  
b = width of the door panel - 280mm