

structo

WALL
SYSTEMS



FITS PERFECTLY WITH
PORTALS

POSSIBLE TO USE DIFFERENT
GLASS TYPES IN DIFFERENT
WINDOWS

ALULINE-30

Maximum wall height:	3500 mm
Suitable glasses with a thickness:	8 - 11,14 mm



+372 666 5017



info@structo.ee



www.structo.ee

ALULINE-30 is a full glass wall system made with aluminum profiles for glasses between 8 - 11,14mm.

The width of the perimeter profile is 20mm and the height is 30mm. Horizontal dividing profile dimensions are 20x34mm. Vertical dividing profile dimensions are 49,6x34mm.

The standard surface finish of aluminum profiles is natural (silver) anodizing but it is also possible to order a painted surface according to the RAL colour catalogue.

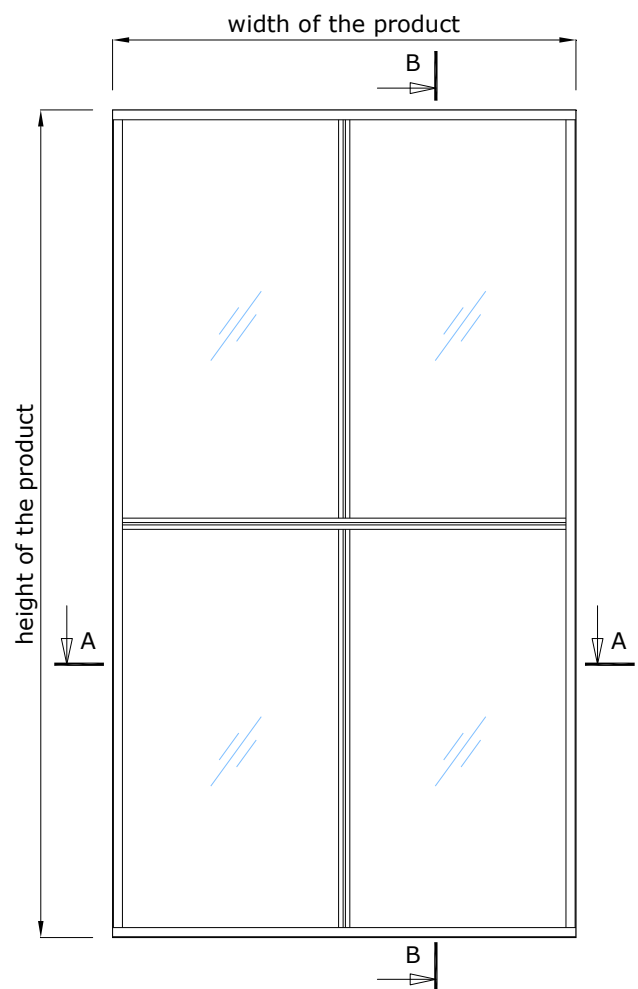
Possible types of glass are tempered, laminated or tempered-laminated.

The surface of the glass can be bright, very bright, mass-tinted, background-painted or matte.

It's possible to use different glass types in different windows e.g. bottom row matte glass and top row bright glass.

A 5mm black circular cross-section EPDM top seal is used as the glass seal.

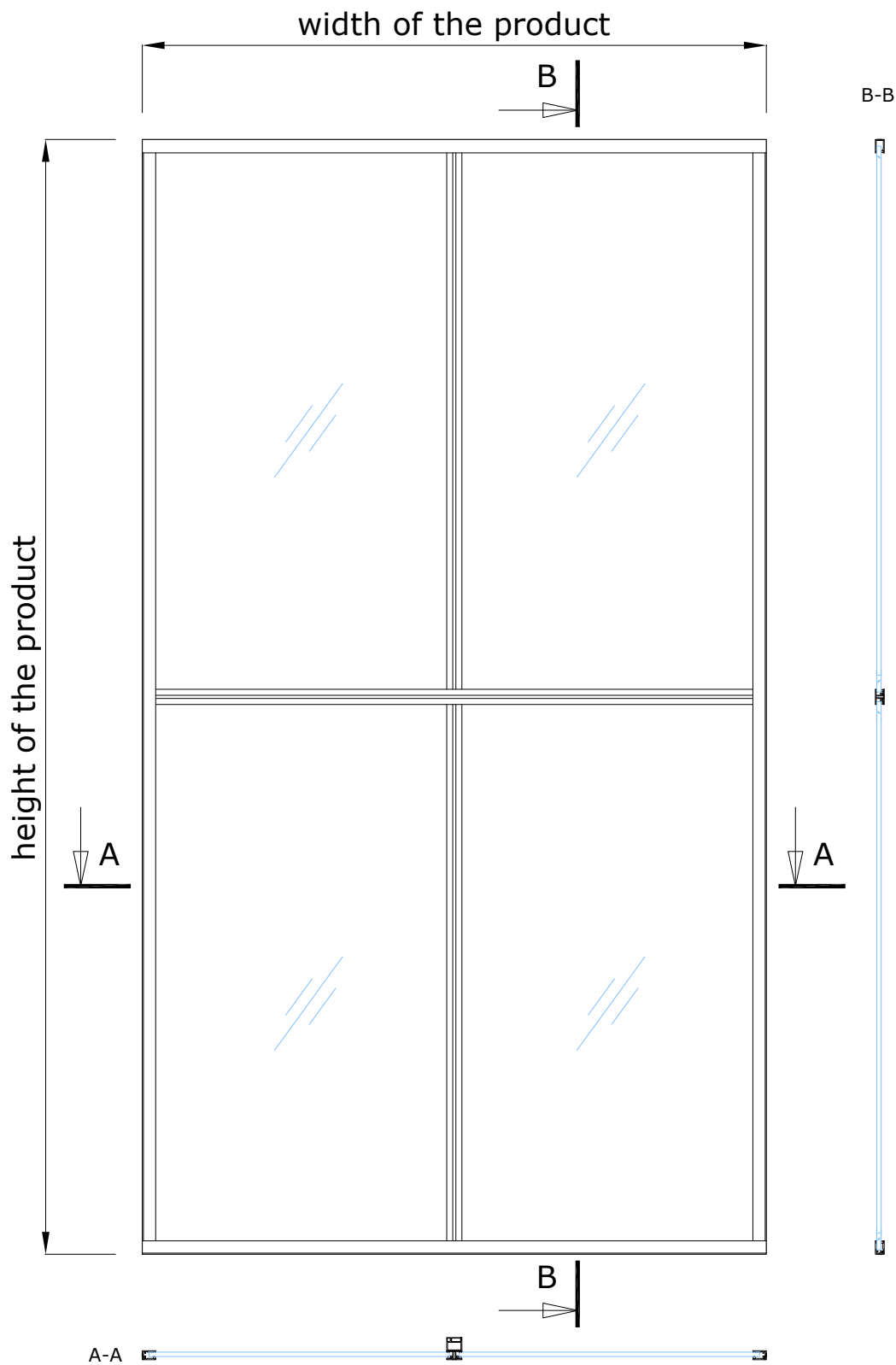
The structures adjacent to the product must be strong enough to allow profiles to be attached to them.



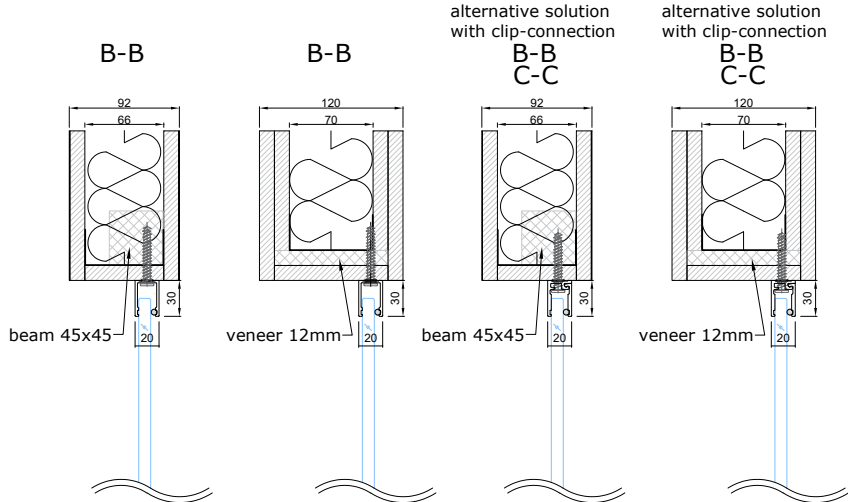
Maximum wall height:	3500 mm
Suitable glasses with a thickness:	8 - 11,14 mm

ALULINE-30

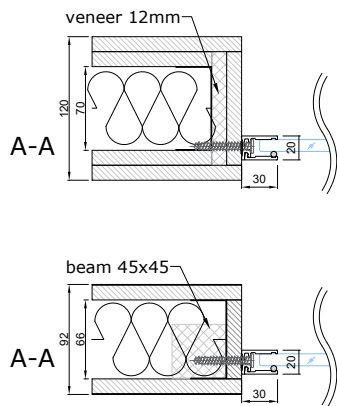
STANDARD SOLUTION



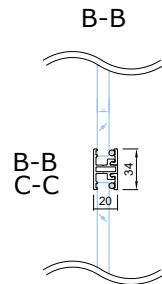
CONNECTION WITH CEILING



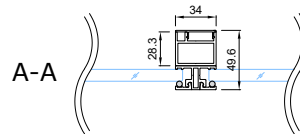
CONNECTION WITH WALL



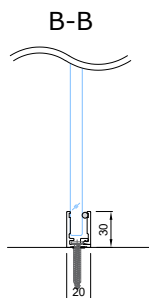
VERTICAL CONNECTION GLASS-GLASS



HORIZONTAL CONNECTION GLASS-GLASS

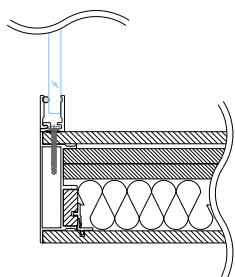


CONNECTION WITH FLOOR

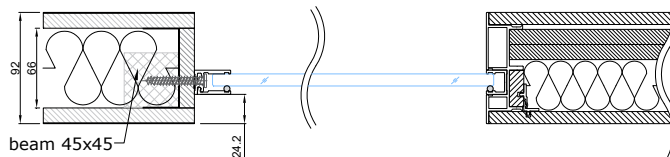


- - seal, EPDM-50Dha_5mm_BLACK
- g - glued connection
- | - seal, FIX-SEAL/S 3x10mm, black
- - AFTC double-sided tape, 2,5x5mm / 3x7mm / 3x10mm, colourless

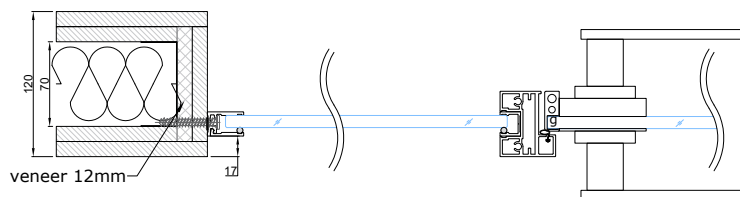
90° CONNECTION UNIT WITH PORTAL PORTA-92A OR ELZONE-92A



CONNECTION WITH PORTAL PORTA-92A



CONNECTION WITH PORTAL PORTA-53



CONNECTION WITH WALL ELZONE-92A

