

# structo

WALL  
SYSTEMS



CLASSIC SOLUTION  
THAT FITS PERFECTLY  
WITH DOORS AND  
ELZONE

## MODULE-30

Maximum wall height: * coloured	3100 mm*
Profile thickness:	30 mm
Standard profile widths:	92 mm 120 mm
Glass thicknesses:	6 - 50 mm



+372 666 5017



info@structo.ee



www.structo.ee

# MODULE - 30 | TECHNICAL DESCRIPTION



MODULE-30 is a full glass wall system made with MDF 30 profiles for glasses between 6 - 50mm.

Standard profile widths are 92mm and 120mm.

MODULE-30 is available in three different types due to installation distinctnesses:

- STANDARD. This type has a 1x20mm gasket groove in the perimeter of the module. It is possible to stack this type on top of each other and on top of a door.
- WOODFRAME-R. This type has a 10x13mm connection profile groove in the perimeter of the module and a 50mm floor outlay profile under the module.
- UP-R. This type is used for creating multiple stacked modules on top of WOODFRAME-R. It is also possible to stack multiple UP-Rs on top of each other.

It is possible to divide glass into smaller units by using a 30mm horizontal dividing profile (HOR30).

Possible coatings for profiles are:

- painted according to RAL, NCS or Tikkurila colour catalogues. Max length of a profile is 3100mm.
- covered with natural or technical veneer, which may be stained and varnished, varnished with tinted varnish or painted. Max length of a profile is 2790mm.

Possible types of glass are tempered, laminated, tempered-laminated or glass units.

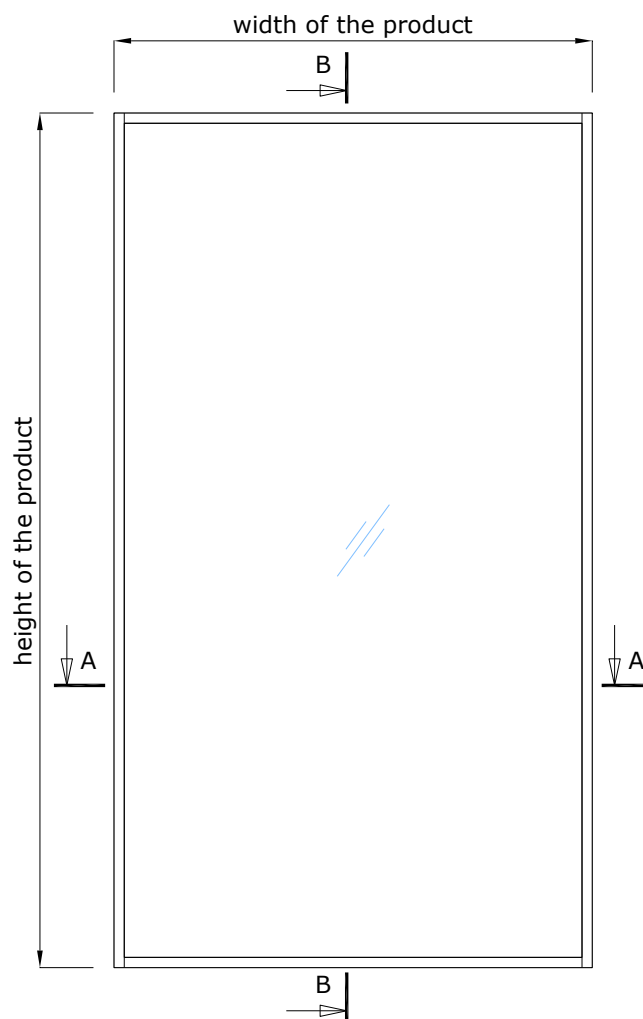
The surface of the glass can be bright, very bright, mass-tinted, background-painted or matte.

Decor profiles (MDF 10x30mm) can be glued anywhere on the glass surface to create exiting looks.

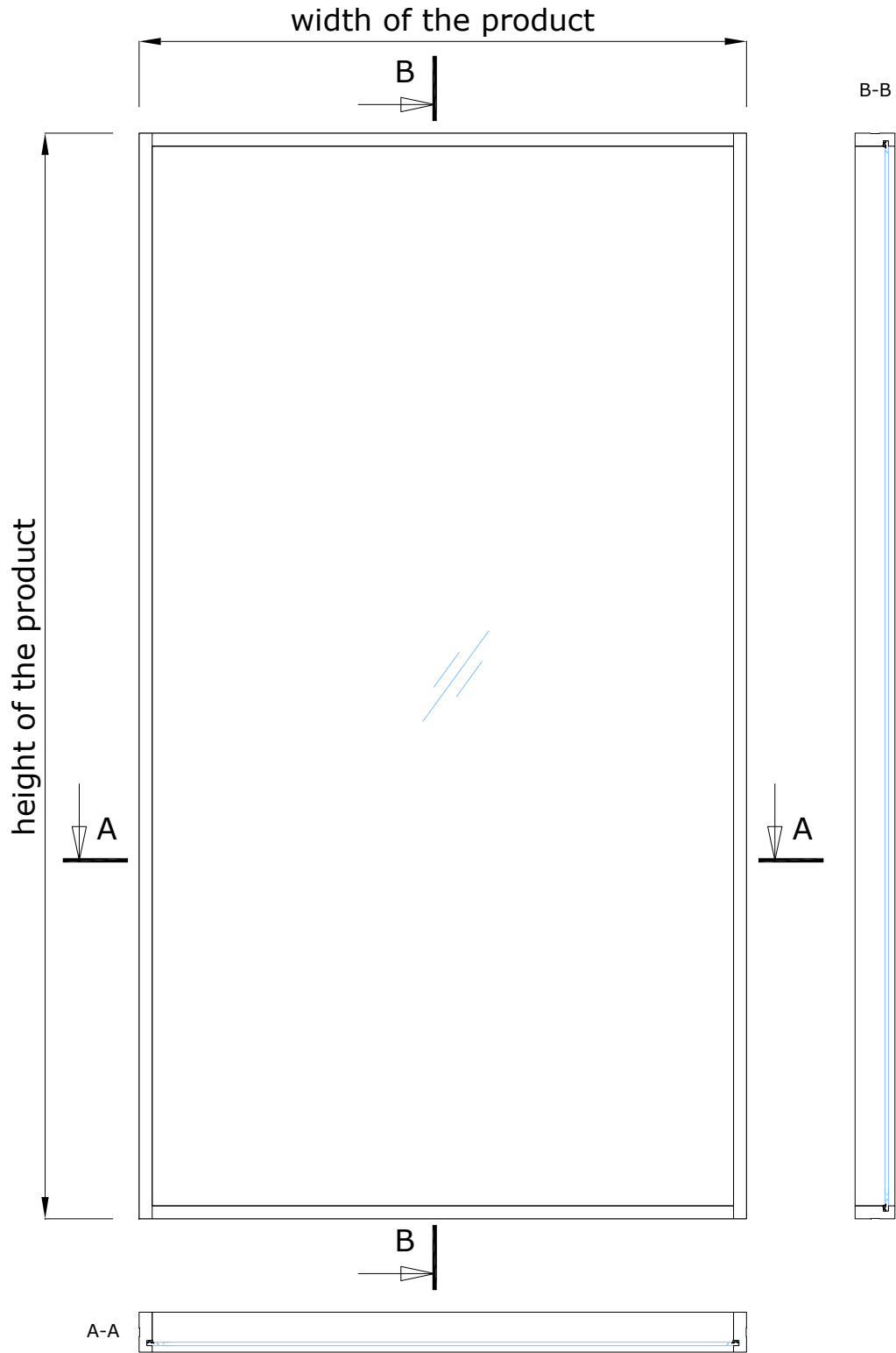
Options for fixing glass to profiles are either with gaskets (black or transparent) or glued.

The structures adjacent to the product must be strong enough to allow profiles to be attached to them.

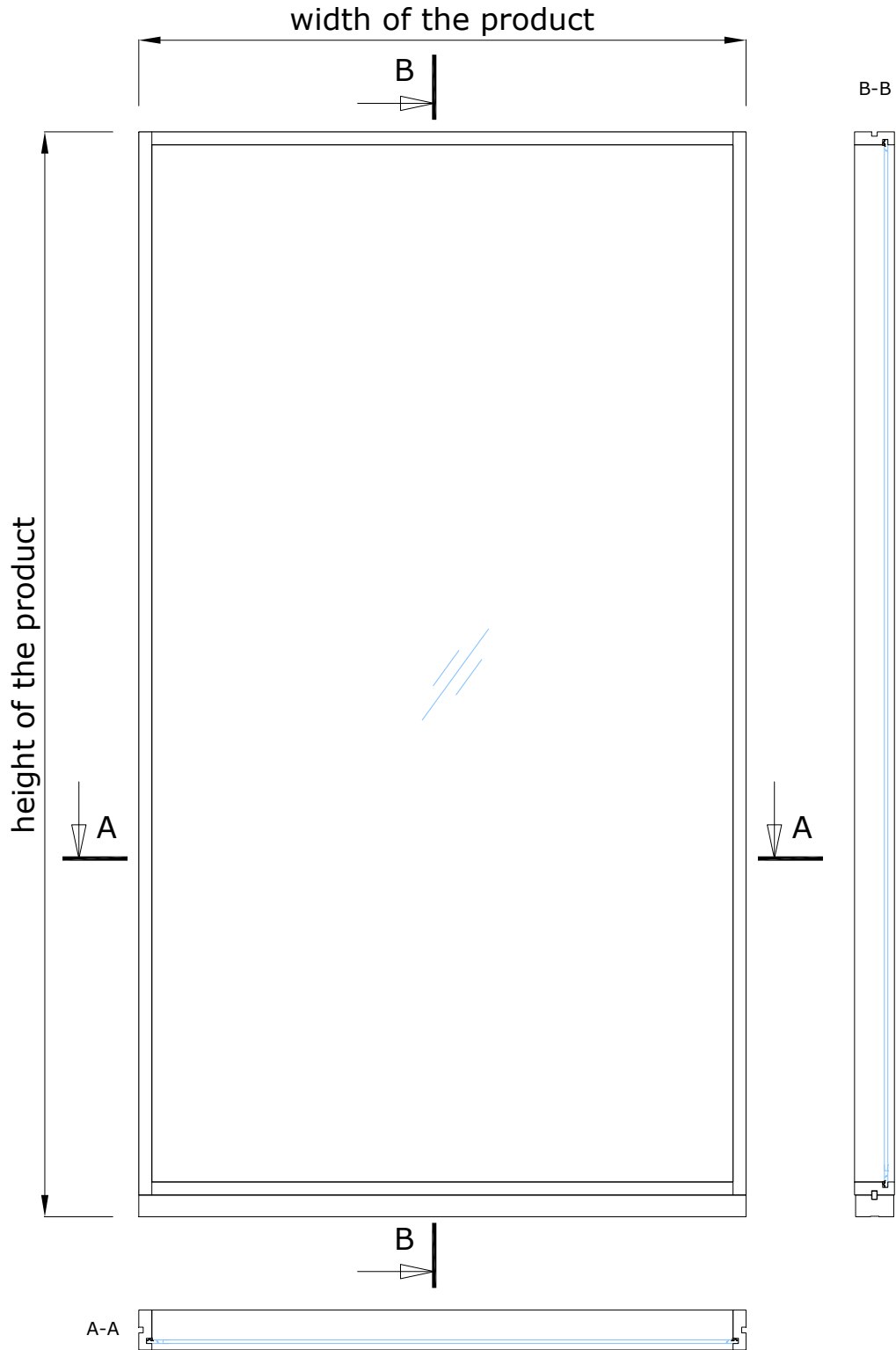
Maximum wall height: * coloured	<b>3100 mm*</b>
Profile thickness:	<b>30 mm</b>
Standard profile widths:	<b>92 mm 120 mm</b>
Glass thicknesses:	<b>6 - 50 mm</b>



# MODULE - 30 | STANDARD SOLUTION

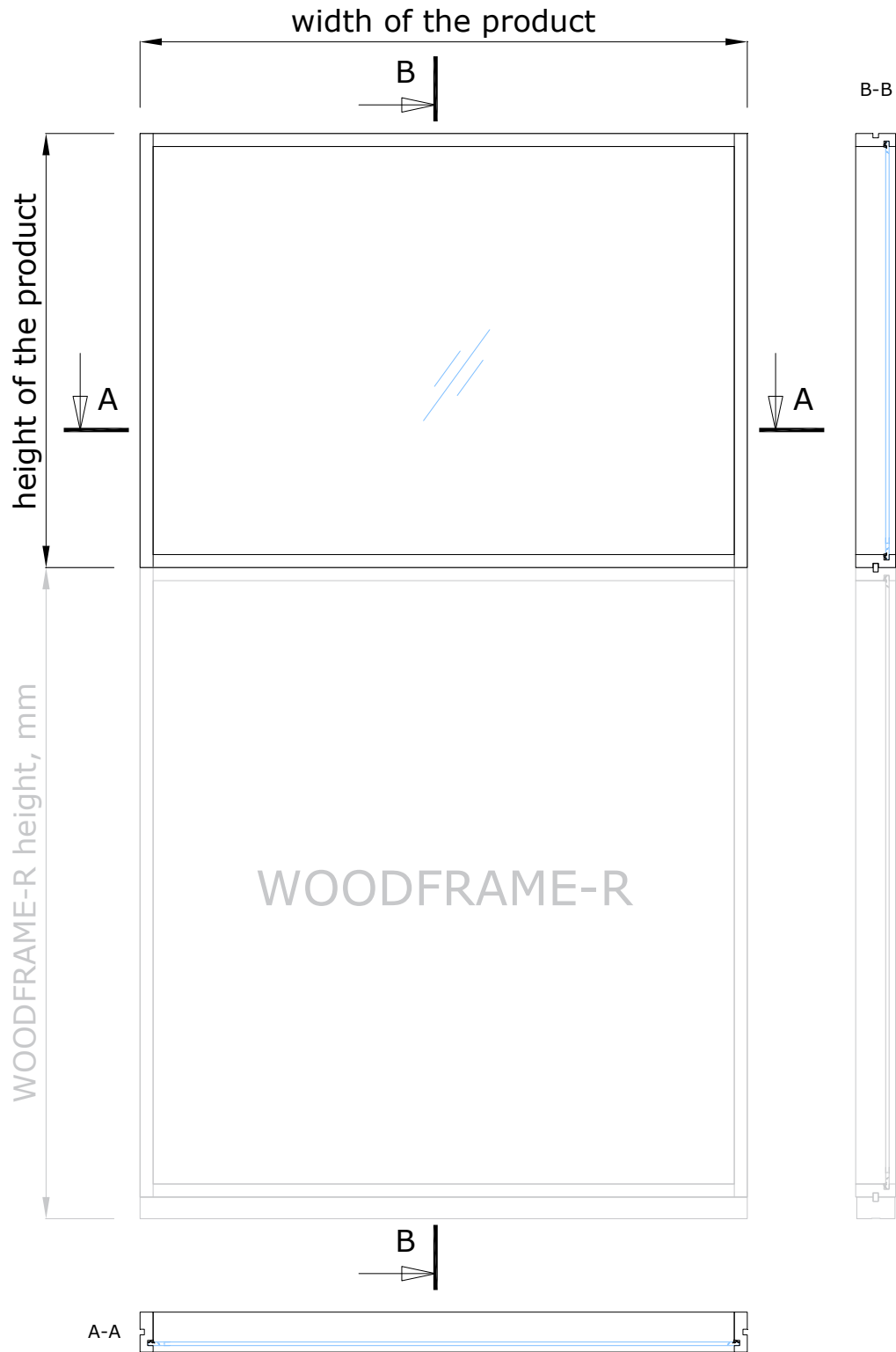


# MODULE - 30 | WOODFRAME-R



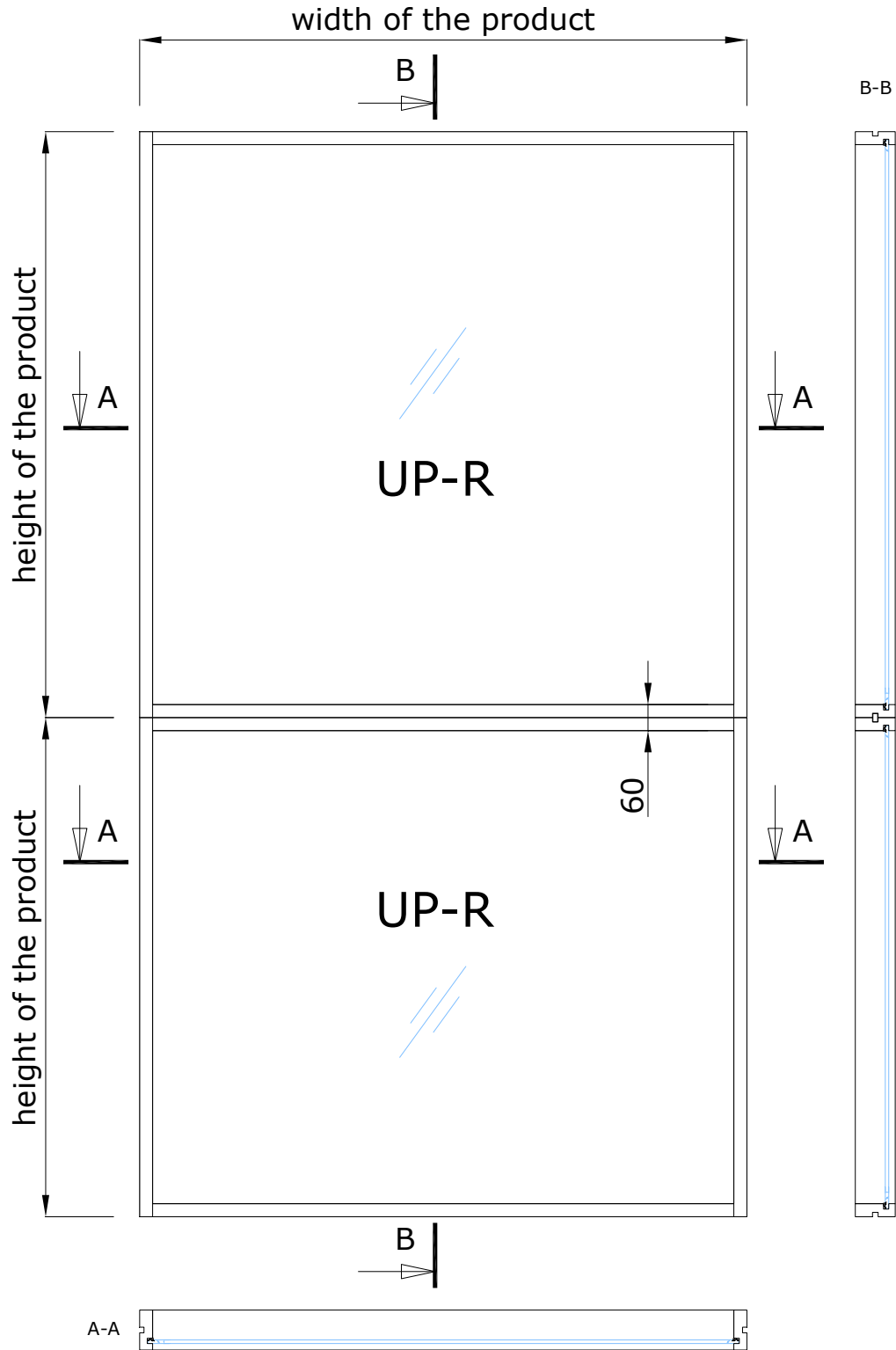
# MODULE - 30

UP-R (ON TOP OF WOODFRAME-R)



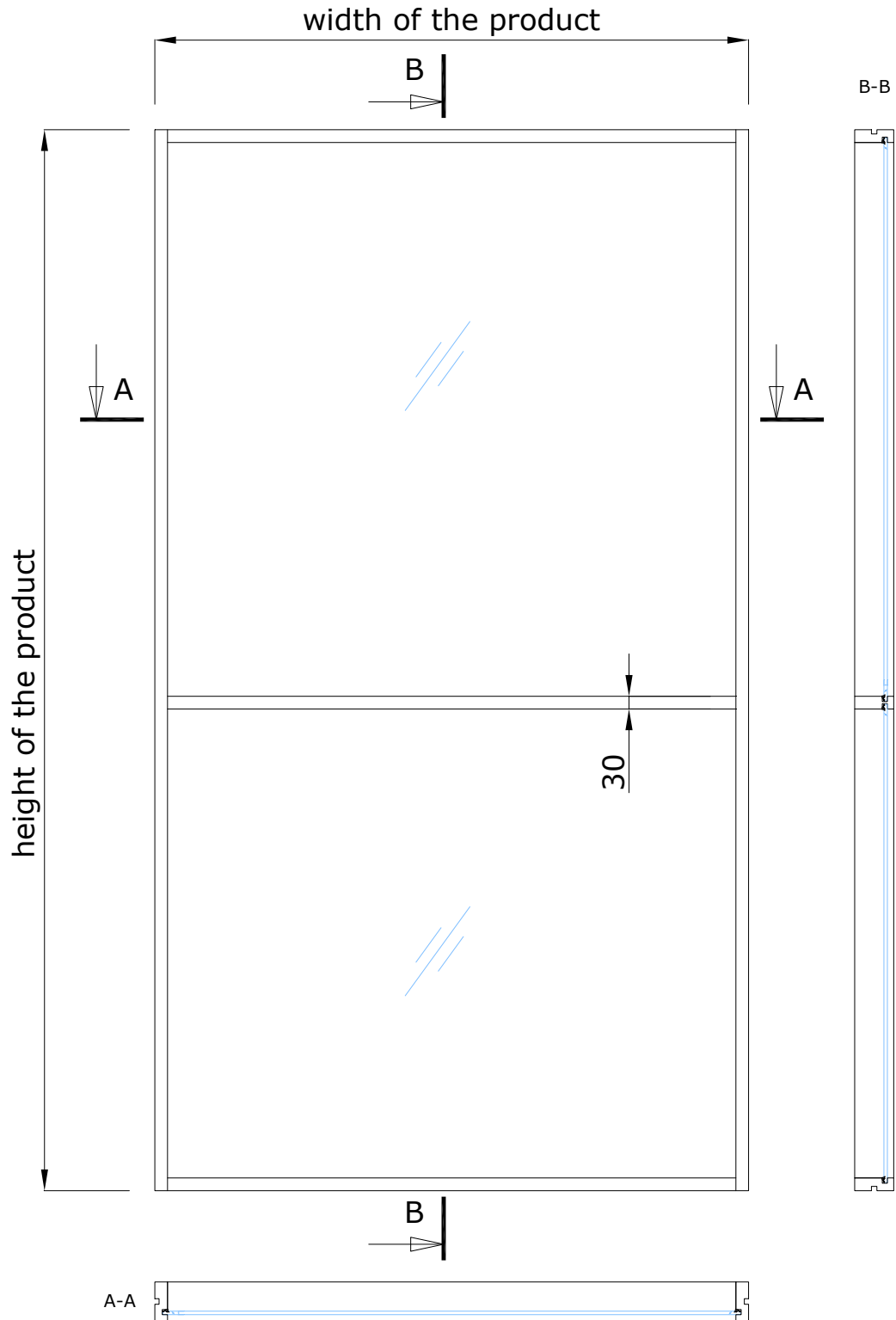
# MODULE - 30

UP-R (SOLUTION WITH MULTIPLE STACKED MODULES)



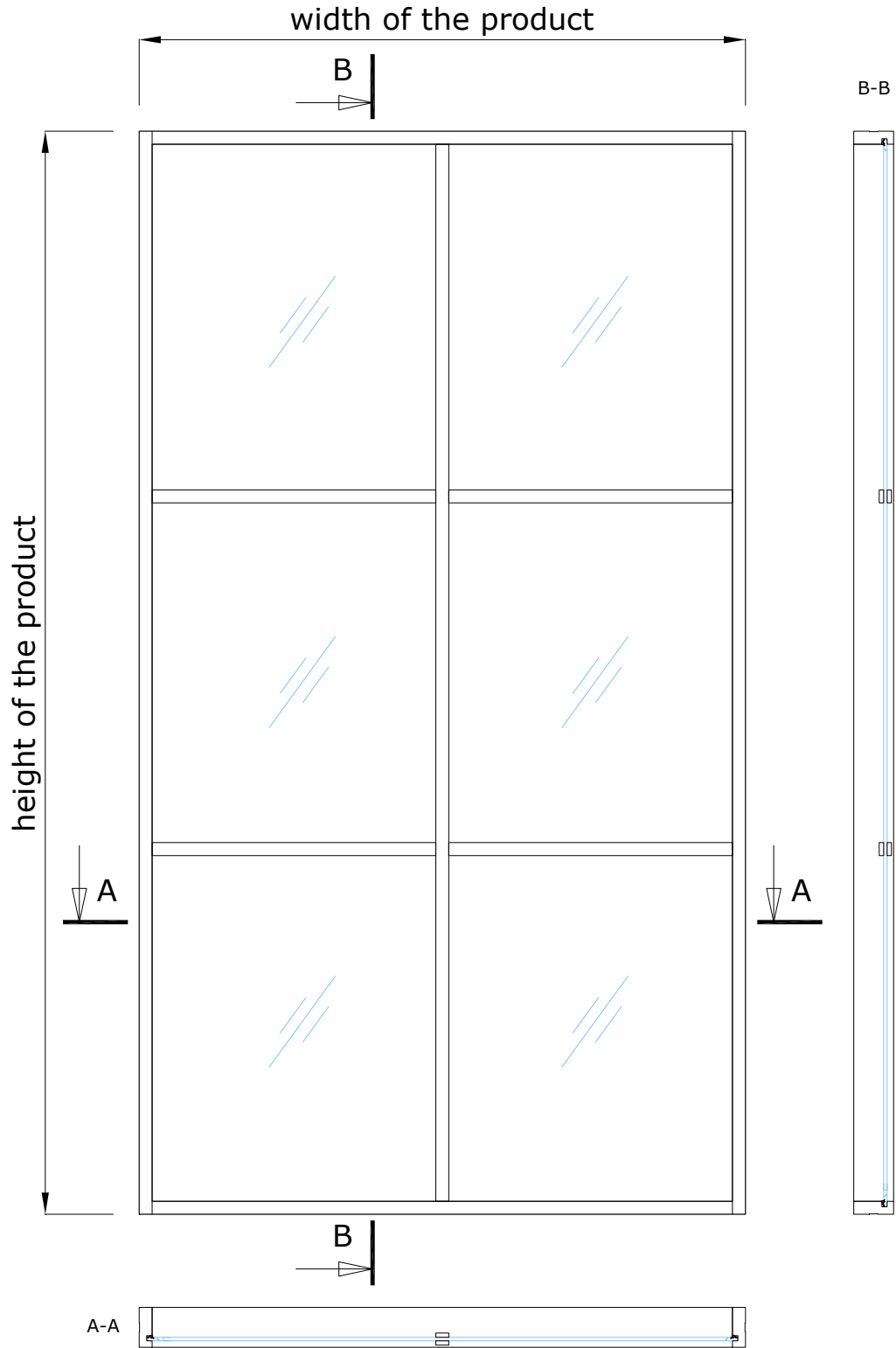
# MODULE - 30

SOLUTION WITH HOR30  
DIVIDING PROFILE



# MODULE - 30

EXAMPLE WITH 30x10mm  
DECOR PROFILES



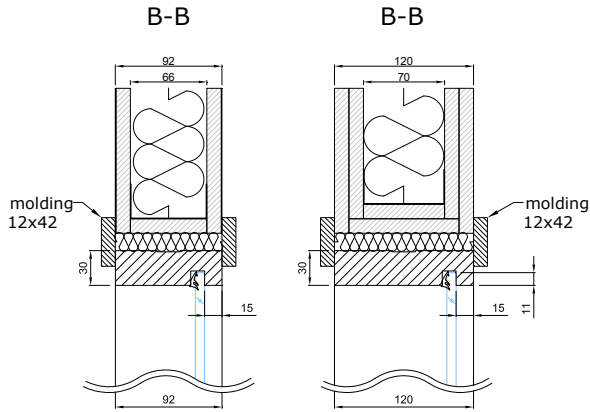


# MODULE - 30

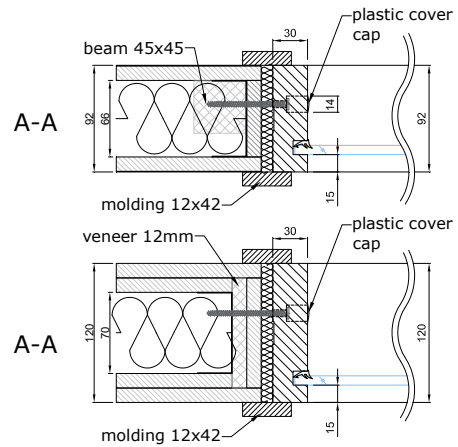
# CONNECTIONS (STANDARD)



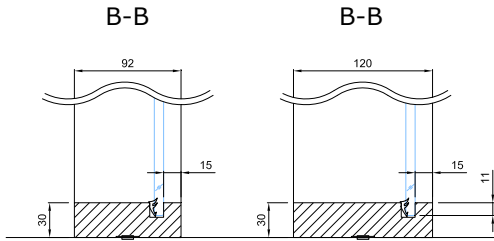
## CONNECTION WITH CEILING



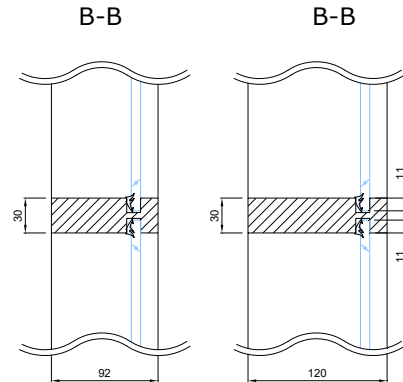
## CONNECTION WITH WALL



## CONNECTION WITH FLOOR

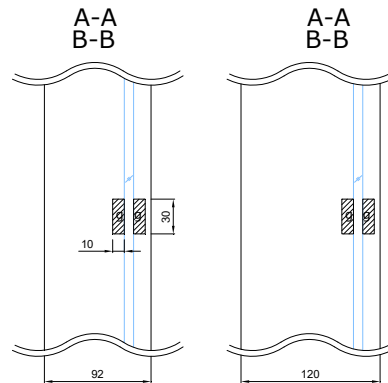


## HOR30 DIVIDING PROFILE



- | - seal, FIX-SEAL/S 3x10mm, black
- ⌘ - PX4, BLACK/COLOURLESS
- g - glued connection

## DECOR PROFILES

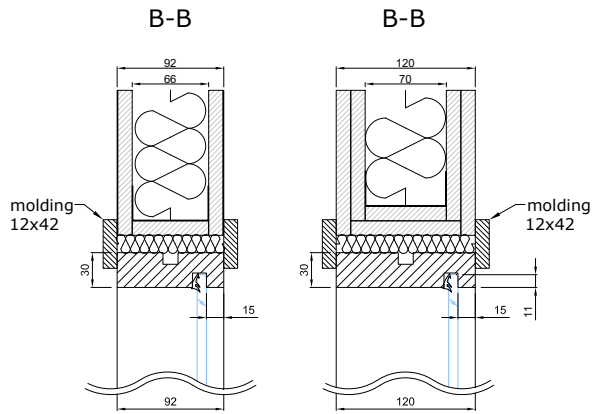


# MODULE - 30

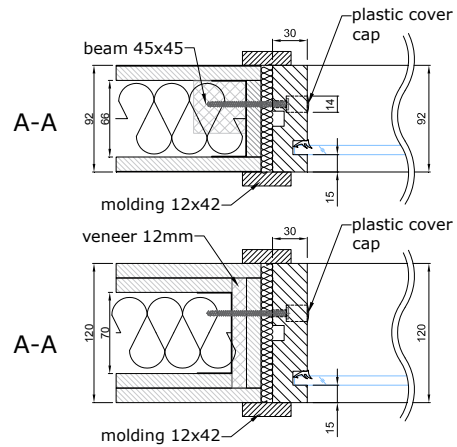
## CONNECTIONS (WOODFRAME-R, UP-R)



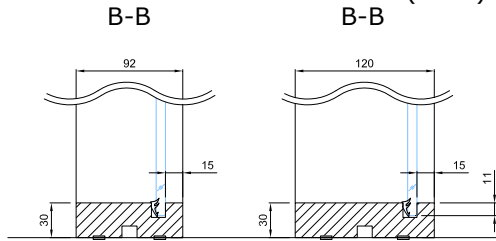
### CONNECTION WITH CEILING



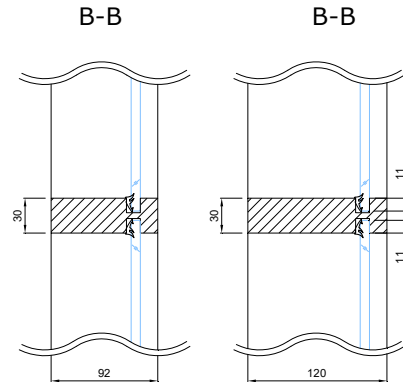
### CONNECTION WITH WALL



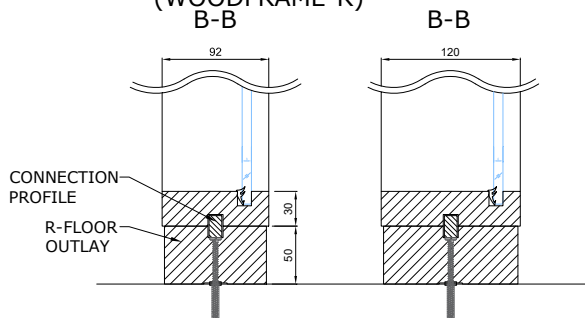
### CONNECTION WITH FLOOR (UP-R)



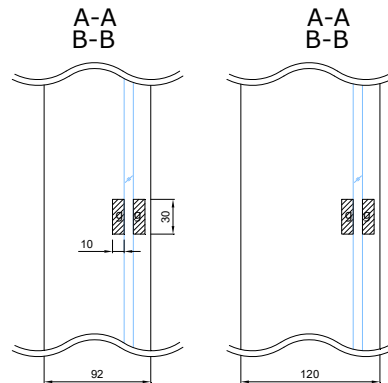
### HOR30 DIVIDING PROFILE



### CONNECTION WITH FLOOR (WOODFRAME-R)



### DECOR PROFILES



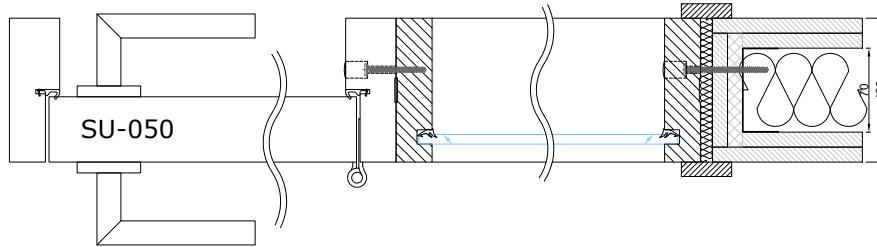
- || - seal, FIX-SEAL/S 3x10mm, black
- ☞ - PX4, BLACK/COLOURLESS
- g - glued connection

# MODULE - 30

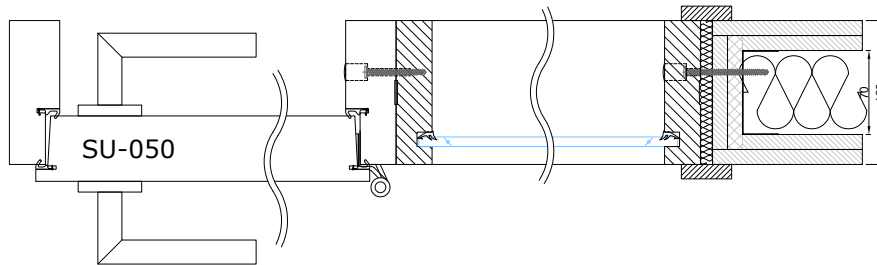
## CONNECTIONS WITH COMPATIBLE PRODUCTS



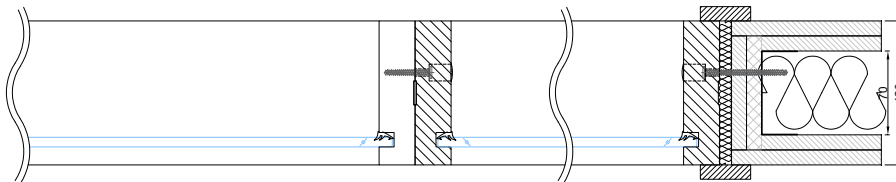
CONNECTION WITH DOOR-S



CONNECTION WITH DOOR-M



CONNECTION WITH ADJACENT MODULE-30



CONNECTION WITH ELZONE

